

GENERAL DESCRIPTION

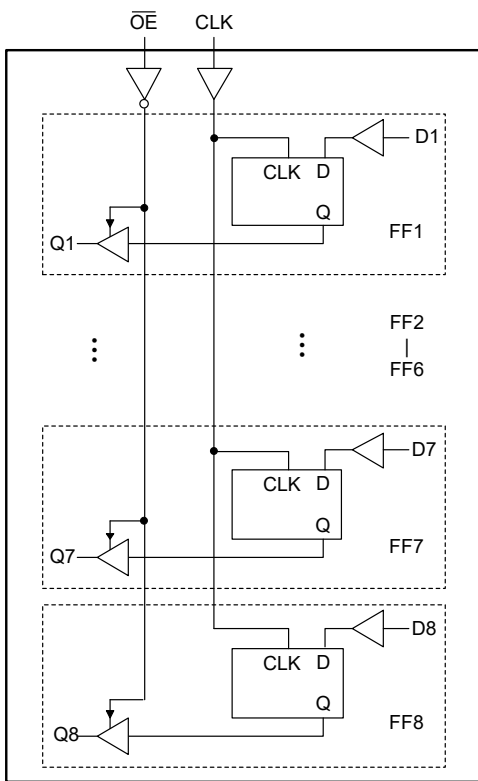
The 74HCT574 is an octal D-Type positive edge-triggered flip-flop with 3-state outputs. The device can accept a supply voltage range from 4.5V to 5.5V.

\overline{OE} is the output enable input and CLK is the clock input. When \overline{OE} sets high, the outputs are in a high-impedance state. \overline{OE} does not affect internal operations of the flip-flop. Old data can be retained or new data can be entered while the outputs are in the high-impedance state.

FEATURES

- Supply Voltage Range: 4.5V to 5.5V
- +7.8mA/-7.8mA Output Current
- 8-Bit Positive Edge-Triggered Register
- 3-State Non-Inverting Outputs Suitable for Bus-Oriented Applications
- CMOS Low Power Consumption
- -40°C to +125°C Operating Temperature Range
- Available in Green TSSOP-20, SOIC-20 and SSOP-20 Packages

LOGIC SYMBOL



FUNCTION TABLE

INPUTS			INTERNAL FLIP-FLOP	OUTPUT
\overline{OE}	CLK	Dn		Qn
L	↑	l	L	L
L	↑	h	H	H
H	↑	l	L	Z
H	↑	h	H	Z

H = High voltage level.

h = High voltage level one set-up time before clock rising edge ↑.

L = Low voltage level.

l = Low voltage level one set-up time before clock rising edge ↑.

Z = High-impedance state.

↑ = Low-to-high clock transition.

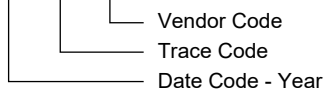
PACKAGE/ORDERING INFORMATION

MODEL	PACKAGE DESCRIPTION	SPECIFIED TEMPERATURE RANGE	ORDERING NUMBER	PACKAGE MARKING	PACKING OPTION
74HCT574	TSSOP-20	-40°C to +125°C	74HCT574XTS20G/TR	74HCT574XTS20 XXXXX	Tape and Reel, 4000
	SOIC-20	-40°C to +125°C	74HCT574XS20G/TR	74HCT574XS20 XXXXX	Tape and Reel, 1500
	SSOP-20	-40°C to +125°C	74HCT574XSS20G/TR	74HCT574 XSS20 XXXXX	Tape and Reel, 2000

MARKING INFORMATION

NOTE: XXXXX = Date Code, Trace Code and Vendor Code.

XXXXX



Green (RoHS & HSF): SG Micro Corp defines "Green" to mean Pb-Free (RoHS compatible) and free of halogen substances. If you have additional comments or questions, please contact your SGMICRO representative directly.

ABSOLUTE MAXIMUM RATINGS

Supply Voltage, V_{CC} -0.5V to 7.0V
 Input Voltage Range, V_I ⁽¹⁾... -0.5V to MIN (7.0V, $V_{CC} + 0.5V$)
 Output Voltage Range, V_O ⁽¹⁾-0.5V to MIN (7.0V, $V_{CC} + 0.5V$)
 Input Clamping Current, I_{IK} ($V_I < 0V$ or $V_I > V_{CC}$)..... $\pm 20mA$
 Output Clamping Current, I_{OK} ($V_O < 0V$ or $V_O > V_{CC}$).. $\pm 20mA$
 Output Current, I_O ($V_O = 0V$ to V_{CC}) $\pm 35mA$
 Continuous Current (V_{CC} or GND) $\pm 70mA$
 Junction Temperature ⁽²⁾ +150°C
 Storage Temperature Range -65°C to +150°C
 Lead Temperature (Soldering, 10s)..... +260°C
 ESD Susceptibility ⁽³⁾⁽⁴⁾
 HBM..... $\pm 6000V$
 CDM $\pm 1000V$

NOTES:

1. The input and output voltage ratings may be exceeded if the input and output clamp current ratings are observed.
2. The performance capability of a high-performance integrated circuit in conjunction with its thermal environment can create junction temperatures which are detrimental to reliability.
3. For human body model (HBM), all pins comply with ANSI/ESDA/JEDEC JS-001 specifications.
4. For charged device model (CDM), all pins comply with ANSI/ESDA/JEDEC JS-002 specifications.

RECOMMENDED OPERATING CONDITIONS

Supply Voltage, V_{CC} 4.5V to 5.5V
 Input Voltage, V_I 0V to V_{CC}
 Output Voltage, V_O 0V to V_{CC}
 Input Transition Rise or Fall Rate, $\Delta t/\Delta V$
 $V_{CC} = 4.5V$ 500ns/V (MAX)
 $V_{CC} = 5.5V$ 400ns/V (MAX)
 Operating Temperature Range..... -40°C to +125°C

OVERSTRESS CAUTION

Stresses beyond those listed in Absolute Maximum Ratings may cause permanent damage to the device. Exposure to absolute maximum rating conditions for extended periods may affect reliability. Functional operation of the device at any conditions beyond those indicated in the Recommended Operating Conditions section is not implied.

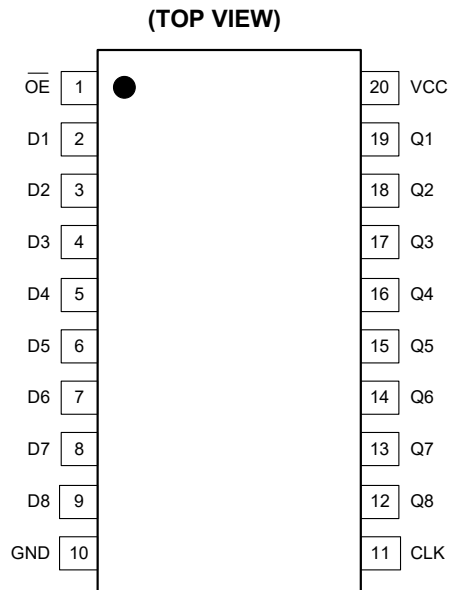
ESD SENSITIVITY CAUTION

This integrated circuit can be damaged if ESD protections are not considered carefully. SGMICRO recommends that all integrated circuits be handled with appropriate precautions. Failure to observe proper handling and installation procedures can cause damage. ESD damage can range from subtle performance degradation to complete device failure. Precision integrated circuits may be more susceptible to damage because even small parametric changes could cause the device not to meet the published specifications.

DISCLAIMER

SG Micro Corp reserves the right to make any change in circuit design, or specifications without prior notice.

PIN CONFIGURATION



TSSOP-20/SOIC-20/SSOP-20

PIN DESCRIPTION

PIN	NAME	FUNCTION
1	\overline{OE}	Output Enable Input (Active Low).
2, 3, 4, 5, 6, 7, 8, 9	D1, D2, D3, D4, D5, D6, D7, D8	Data Inputs.
10	GND	Ground.
11	CLK	Clock Input.
12, 13, 14, 15, 16, 17, 18, 19	Q8, Q7, Q6, Q5, Q4, Q3, Q2, Q1	Data Outputs.
20	VCC	Supply Voltage.

ELECTRICAL CHARACTERISTICS(Full = -40°C to +125°C, all typical values are measured at T_A = +25°C, unless otherwise noted.)

PARAMETER	SYMBOL	CONDITIONS	TEMP	MIN	TYP	MAX	UNITS
High-Level Input Voltage	V _{IH}	V _{CC} = 4.5V to 5.5V	Full	2			V
Low-Level Input Voltage	V _{IL}	V _{CC} = 4.5V to 5.5V	Full			0.8	V
High-Level Output Voltage	V _{OH}	V _I = V _{IH} or V _{IL} , V _{CC} = 4.5V	I _O = -20μA	Full	4.40	4.495	V
			I _O = -6.0mA	Full	3.84	4.290	
Low-Level Output Voltage	V _{OL}	V _I = V _{IH} or V _{IL} , V _{CC} = 4.5V	I _O = 20μA	Full		0.005	V
			I _O = 6.0mA	Full		0.16	
Input Leakage Current	I _I	V _{CC} = 5.5V, V _I = V _{CC} or GND	Full		±0.1	±1	μA
Off-State Output Current	I _{OZ}	V _{CC} = 5.5V, V _I = V _{IH} or V _{IL} , V _O = V _{CC} or GND	Full		±0.1	±2	μA
Supply Current	I _{CC}	V _{CC} = 5.5V, V _I = V _{CC} or GND, I _O = 0A	Full		0.1	10	μA
Additional Supply Current	Δ I _{CC}	One input at 0.5V or 2.4V. Other inputs at 0V or V _{CC} .	Full		0.12	1	mA

DYNAMIC CHARACTERISTICS

(See Figure 1 for test circuit. Full = -40°C to +125°C, C_L = 50pF, all typical values are measured at T_A = +25°C, unless otherwise noted.)

PARAMETER	SYMBOL	CONDITIONS		TEMP	MIN ⁽¹⁾	TYP	MAX ⁽¹⁾	UNITS
Propagation Delay ⁽²⁾	t _{PD}	CLK to Qn	V _{CC} = 4.5V	C _L = 50pF	Full	13	27	ns
				C _L = 150pF	Full	20	40	
			V _{CC} = 5.5V	C _L = 50pF	Full	12	24	
				C _L = 150pF	Full	19	36	
Enable Time ⁽²⁾	t _{EN}	$\overline{\text{OE}}$ to Qn	V _{CC} = 4.5V	C _L = 50pF	Full	13	28	ns
				C _L = 150pF	Full	19	40	
			V _{CC} = 5.5V	C _L = 50pF	Full	11	24	
				C _L = 150pF	Full	17	36	
Disable Time ⁽²⁾	t _{DIS}	$\overline{\text{OE}}$ to Qn	V _{CC} = 4.5V	C _L = 50pF	Full	9	11	ns
				C _L = 150pF	Full	18	24	
			V _{CC} = 5.5V	C _L = 50pF	Full	9	11	
				C _L = 150pF	Full	19	25	
Transition Time ⁽²⁾	t _T	Qn	V _{CC} = 4.5V	C _L = 50pF	Full	5	17	ns
				C _L = 150pF	Full	16	39	
			V _{CC} = 5.5V	C _L = 50pF	Full	4	14	
				C _L = 150pF	Full	12	33	
Pulse Width	t _w	CLK high or low	V _{CC} = 4.5V	Full	5	14	ns	
			V _{CC} = 5.5V	Full	4	13		
Set-up Time	t _{SU}	Dn to CLK, data before CLK ↑	V _{CC} = 4.5V	Full	5		ns	
			V _{CC} = 5.5V	Full	4			
Hold Time	t _H	Dn to CLK, data before CLK ↑	V _{CC} = 4.5V	Full	3		ns	
			V _{CC} = 5.5V	Full	3			
Maximum Frequency	f _{MAX}	CLK	V _{CC} = 4.5V	Full	35	106	MHz	
			V _{CC} = 5.5V	Full	40	119		
Input Capacitance	C _I	V _{CC} = 4.5V to 5.5V		+25°C		4	pF	
Input Transition Rise and Fall Time	Δt/ΔV	V _{CC} = 4.5V to 5.5V		Full			500	ns/V
Power Dissipation Capacitance ⁽³⁾	C _{PD}	No load		Full		10	pF	

NOTES:

- Specified by design and characterization, not production tested.
- t_{PD} is the same as t_{PLH} and t_{PHL}. t_{DIS} is the same as t_{PLZ} and t_{PHZ}. t_{EN} is the same as t_{PZL} and t_{PZH}. t_T is the same as t_{THL} and t_{TLH}.
- C_{PD} is used to determine the dynamic power dissipation (P_D in μW).

$$P_D = C_{PD} \times V_{CC}^2 \times f_i \times N + \Sigma(C_L \times V_{CC}^2 \times f_o)$$

where:

f_i = Input frequency in MHz.

f_o = Output frequency in MHz.

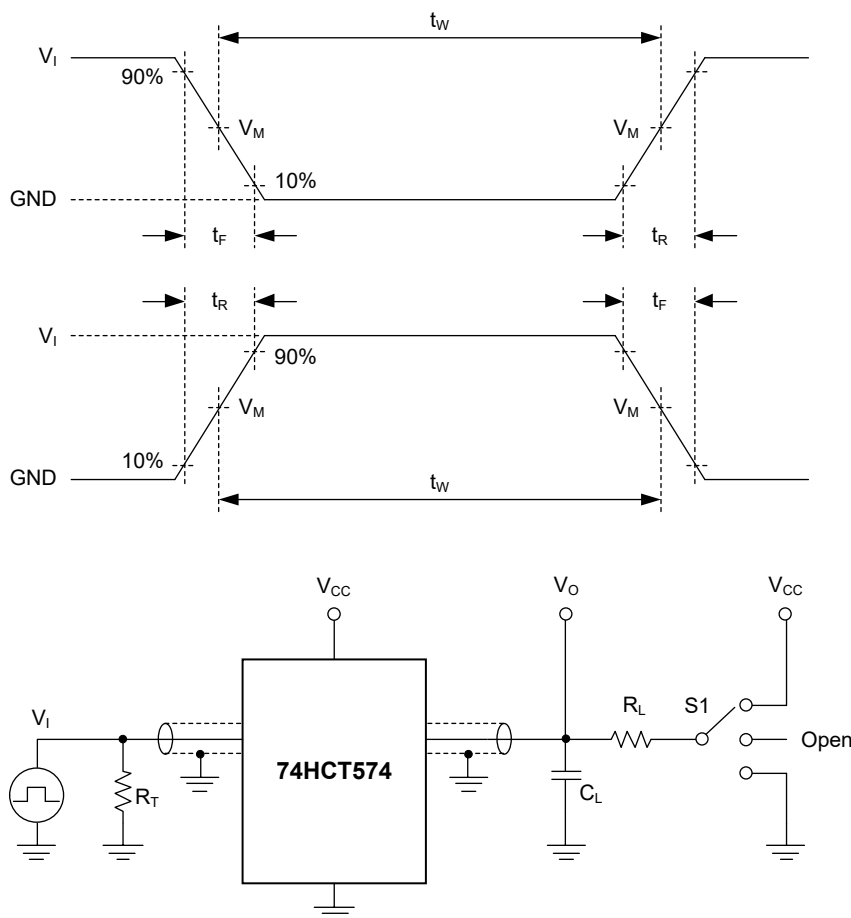
C_L = Output load capacitance in pF.

V_{CC} = Supply voltage in Volts.

N = Number of inputs switching.

Σ(C_L × V_{CC}² × f_o) = Sum of the outputs.

TEST CIRCUIT



Test conditions are given in Table 1.

Definitions for test circuit:

R_L : Load resistance.

C_L : Load capacitance (includes jig and probe).

R_T : Termination resistance (equals to output impedance Z_O of the pulse generator).

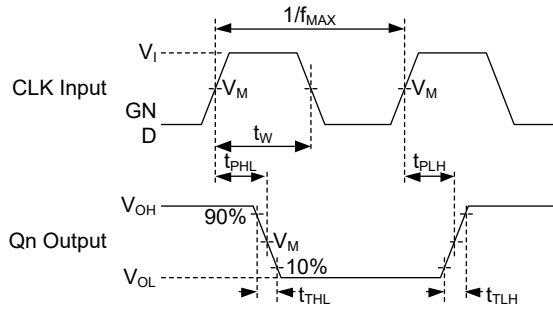
S1: Test selection switch.

Figure 1. Test Circuit for Measuring Switching Times

Table 1. Test Conditions

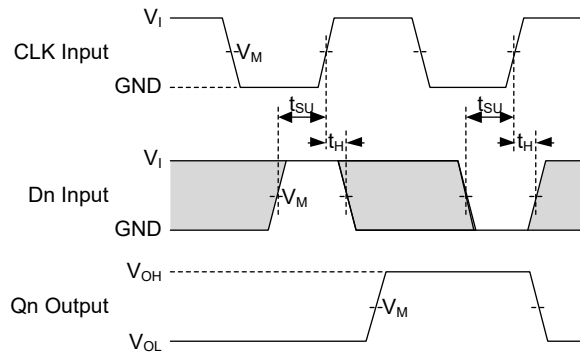
SUPPLY VOLTAGE	INPUT		LOAD		S1 POSITION		
	V_I	t_R, t_F	C_L	R_L	t_{PLH}, t_{PHL}	t_{PLZ}, t_{PZL}	t_{PHZ}, t_{PZH}
4.0V to 5.5V	V_{CC}	$\leq 6.0\text{ns}$	50pF	1k Ω	Open	V_{CC}	GND
4.0V to 5.5V	V_{CC}	$\leq 6.0\text{ns}$	150pF	1k Ω	Open	V_{CC}	GND

WAVEFORMS



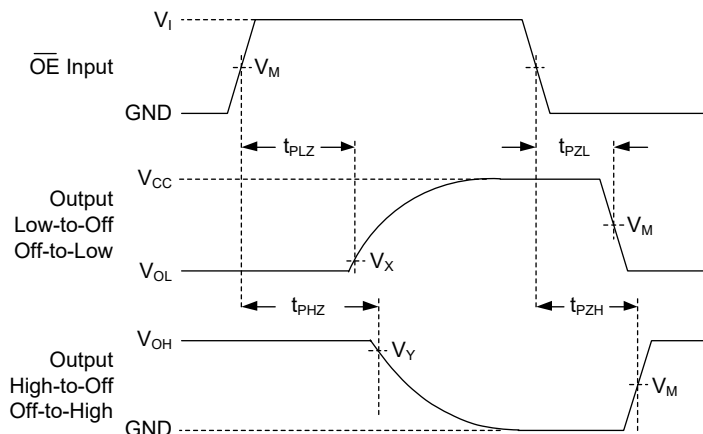
Test conditions are given in Table 1.
 Measurement points are given in Table 2.
 Logic levels: V_{OL} and V_{OH} are typical output voltage levels that occur with the output load.

Figure 2. Clock Input to Output Propagation Delays, Pulse Width, Transition Times and Maximum Clock Frequency



Test conditions are given in Table 1.
 Measurement points are given in Table 2.
 Logic levels: V_{OL} and V_{OH} are typical output voltage levels that occur with the output load.
 The shaded areas refer to when the input is allowed to change for predictable output performance.

Figure 3. Data Set-up Times for the Dn Input to the CLK Input and Hold Times for the CLK Input to the Dn Input



Test conditions are given in Table 1.
 Measurement points are given in Table 2.
 Logic levels: V_{OL} and V_{OH} are typical output voltage levels that occur with the output load.

Figure 4. Enable and Disable Times

WAVEFORMS (continued)

Table 2. Measurement Points

SUPPLY VOLTAGE	INPUT		OUTPUT		
V_{CC}	V_I	$V_M^{(1)}$	V_M	V_X	V_Y
4.5V to 5.5V	V_{CC}	$0.5 \times V_{CC}$	$0.5 \times V_{CC}$	$0.1 \times V_{CC}$	$0.9 \times V_{CC}$

NOTE:

1. The measurement points should be V_{IH} or V_{IL} when the input rising or falling time exceeds 6.0ns.

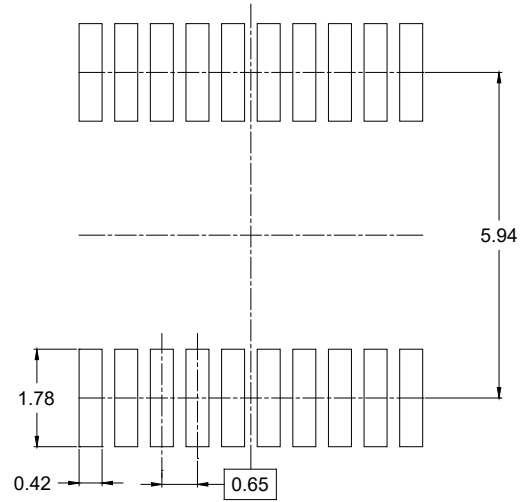
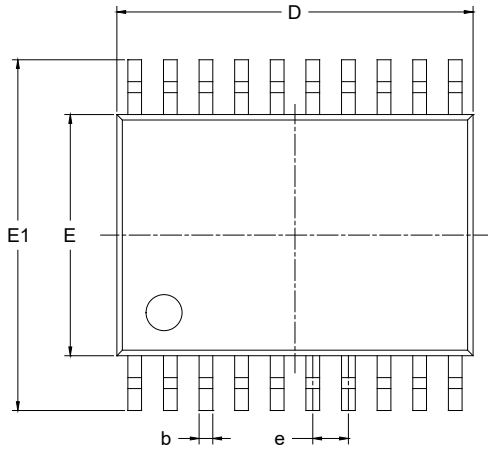
REVISION HISTORY

NOTE: Page numbers for previous revisions may differ from page numbers in the current version.

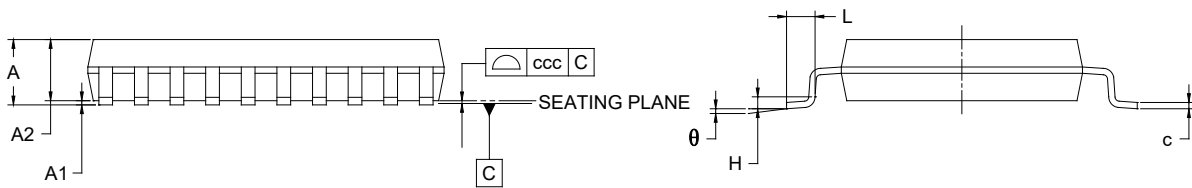
Changes from Original (SEPTEMBER 2024) to REV.A	Page
Changed from product preview to production data.....	All

PACKAGE OUTLINE DIMENSIONS

TSSOP-20



RECOMMENDED LAND PATTERN (Unit: mm)



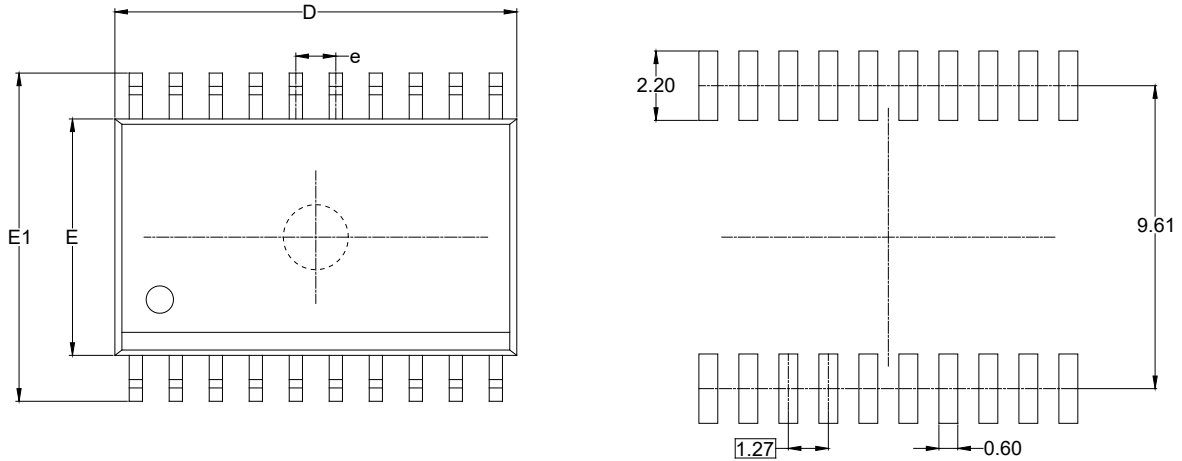
Symbol	Dimensions In Millimeters		
	MIN	NOM	MAX
A	-	-	1.200
A1	0.050	-	0.150
A2	0.800	-	1.050
b	0.190	-	0.300
c	0.090	-	0.200
D	6.400	-	6.600
E	4.300	-	4.500
E1	6.200	-	6.600
e	0.650 BSC		
L	0.450	-	0.750
H	0.250 TYP		
theta	0°	-	8°
ccc	0.100		

NOTES:

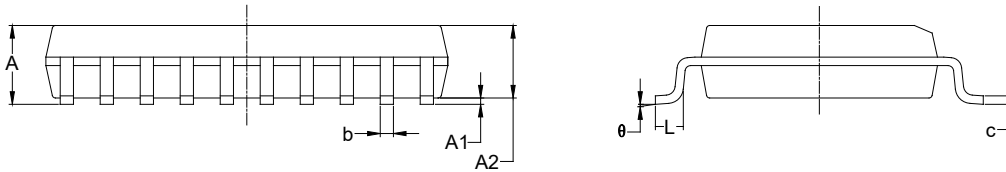
1. Body dimensions do not include mode flash or protrusion.
2. This drawing is subject to change without notice.
3. Reference JEDEC MO-153.

PACKAGE OUTLINE DIMENSIONS

SOIC-20



RECOMMENDED LAND PATTERN (Unit: mm)



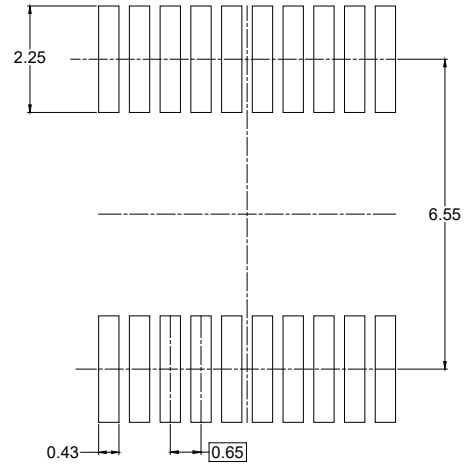
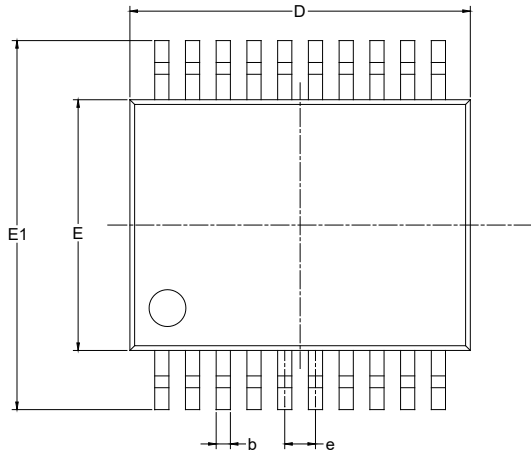
Symbol	Dimensions In Millimeters		Dimensions In Inches	
	MIN	MAX	MIN	MAX
A	2.350	2.650	0.093	0.104
A1	0.100	0.300	0.004	0.012
A2	2.100	2.500	0.083	0.098
b	0.330	0.510	0.013	0.020
c	0.204	0.330	0.008	0.013
D	12.520	13.000	0.493	0.512
E	7.400	7.600	0.291	0.299
E1	10.210	10.610	0.402	0.418
e	1.27 BSC		0.050 BSC	
L	0.400	1.270	0.016	0.050
θ	0°	8°	0°	8°

NOTES:

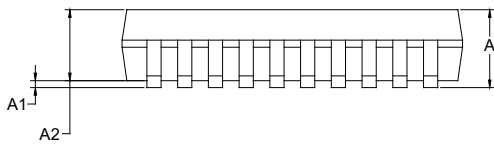
1. Body dimensions do not include mode flash or protrusion.
2. This drawing is subject to change without notice.

PACKAGE OUTLINE DIMENSIONS

SSOP-20



RECOMMENDED LAND PATTERN (Unit: mm)



Symbol	Dimensions In Millimeters		Dimensions In Inches	
	MIN	MAX	MIN	MAX
A		1.730		0.068
A1	0.050	0.230	0.002	0.009
A2	1.400	1.600	0.055	0.063
b	0.220	0.380	0.009	0.015
c	0.090	0.250	0.004	0.010
D	7.000	7.400	0.276	0.291
E	5.100	5.500	0.201	0.217
E1	7.600	8.000	0.299	0.315
e	0.65 BSC		0.026 BSC	
L	0.550	0.950	0.022	0.037
θ	0°	8°	0°	8°

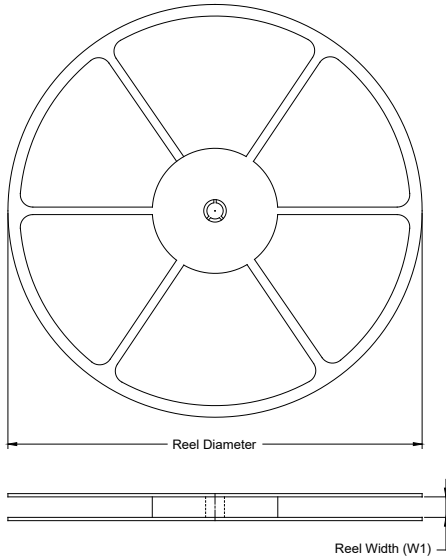
NOTES:

1. Body dimensions do not include mode flash or protrusion.
2. This drawing is subject to change without notice.

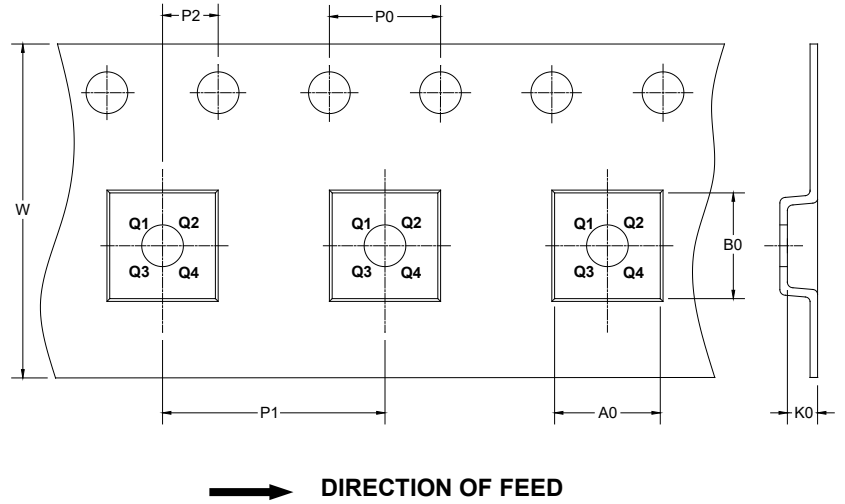
PACKAGE INFORMATION

TAPE AND REEL INFORMATION

REEL DIMENSIONS



TAPE DIMENSIONS



NOTE: The picture is only for reference. Please make the object as the standard.

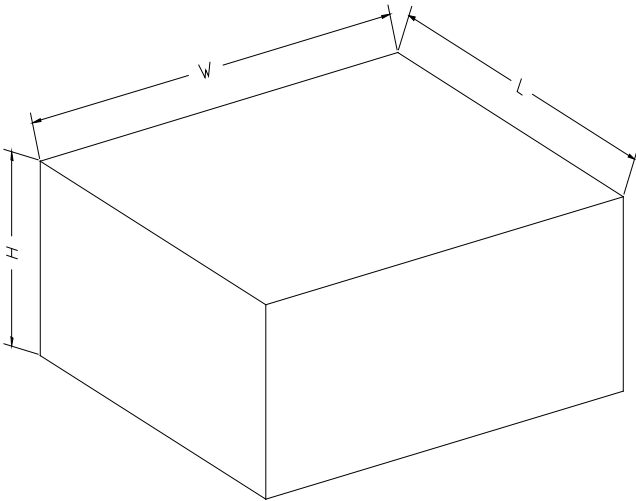
KEY PARAMETER LIST OF TAPE AND REEL

Package Type	Reel Diameter	Reel Width W1 (mm)	A0 (mm)	B0 (mm)	K0 (mm)	P0 (mm)	P1 (mm)	P2 (mm)	W (mm)	Pin1 Quadrant
TSSOP-20	13"	16.4	6.80	6.90	1.50	4.0	8.0	2.0	12.0	Q1
SOIC-20	13"	24.4	10.90	13.30	3.00	4.0	12.0	2.0	24.0	Q1
SSOP-20	13"	16.4	8.40	7.75	2.50	4.0	12.0	2.0	16.0	Q1

DD0001

PACKAGE INFORMATION

CARTON BOX DIMENSIONS



NOTE: The picture is only for reference. Please make the object as the standard.

KEY PARAMETER LIST OF CARTON BOX

Reel Type	Length (mm)	Width (mm)	Height (mm)	Pizza/Carton
13"	386	280	370	5

DD0002