

GENERAL DESCRIPTION

The SGM3725 is a high efficiency constant current LED driver with a 1.1MHz PWM boost converter. The internal low-side N-channel MOSFET and high switching frequency make the SGM3725 easy to use small components and optimized for compact solutions.

The SGM3725 is capable of driving either up to 10 LEDs in series for 38V output or total 260mA current with 3 LEDs in series per string while achieving high conversion efficiency.

32-step FB reference voltage can be programmed by one-wire dimming interface. Compared to normal PWM dimming control, it can avoid audible noise and reduce inrush current.

The SGM3725 provides very low shutdown current. It also includes a comprehensive set of protection features such as over-voltage protection, cycle-by-cycle input current limit and thermal shutdown.

The SGM3725 is available in a Green TSOT-23-6 package. It operates over an ambient temperature range of -40°C to +85°C.

FEATURES

- **Input Voltage Range: 2.7V to 5.5V**
- **Support up to 10 LEDs in Series**
- **Integrated 40V/1.35A Switch**
- **High Efficiency PWM Boost Converter**
- **Low Feedback Voltage: 200mV**
- **500kΩ Pull-Down Resistor on CTRL Pin**
- **One-Wire Dimming Interface**
- **Switching Frequency: 1.1MHz**
- **38V LED Open Protection**
- **Automatic Soft-Start for Reducing Inrush Current**
- **Less than 1μA Shutdown Current**
- **-40°C to +85°C Operating Temperature Range**
- **Available in a Green TSOT-23-6 Package**

APPLICATIONS

LED Backlighting
Mobile Phones and Digital Photo Frames
Portable Devices
Automotive Navigation

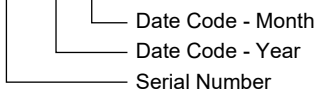
PACKAGE/ORDERING INFORMATION

MODEL	PACKAGE DESCRIPTION	SPECIFIED TEMPERATURE RANGE	ORDERING NUMBER	PACKAGE MARKING	PACKING OPTION
SGM3725	TSOT-23-6	-40°C to +85°C	SGM3725YTN6G/TR	SK9XX	Tape and Reel, 3000

MARKING INFORMATION

NOTE: XX = Date Code.

YYY X X



Green (RoHS & HSF): SG Micro Corp defines "Green" to mean Pb-Free (RoHS compatible) and free of halogen substances. If you have additional comments or questions, please contact your SGMICRO representative directly.

ABSOLUTE MAXIMUM RATINGS

- Input Voltage, V_{IN} -0.3V to 6V
- High Voltage Nodes, SW, VOUT -0.3V to 40V
- Other Pins, FB, CTRL.....-0.3V to $V_{IN} + 0.3V$
- Package Thermal Resistance
- TSOT-23-6, θ_{JA} 120°C/W
- Junction Temperature.....+150°C
- Storage Temperature Range-65°C to +150°C
- Lead Temperature (Soldering, 10sec)+260°C
- ESD Susceptibility
- HBM..... 4000V
- MM..... 200V

RECOMMENDED OPERATING CONDITIONS

- Input Voltage Range2.7V to 5.5V
- Operating Temperature Range-40°C to +85°C

OVERSTRESS CAUTION

Stresses beyond those listed in Absolute Maximum Ratings may cause permanent damage to the device. Exposure to absolute maximum rating conditions for extended periods may affect reliability. Functional operation of the device at any conditions beyond those indicated in the Recommended Operating Conditions section is not implied.

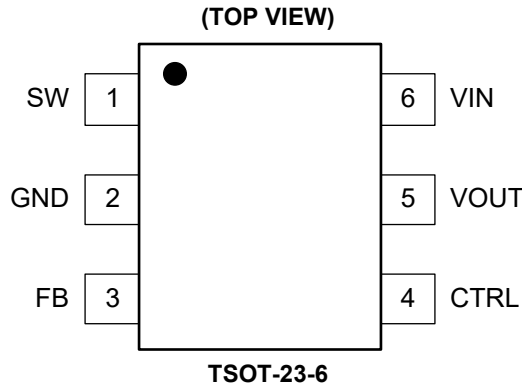
ESD SENSITIVITY CAUTION

This integrated circuit can be damaged if ESD protections are not considered carefully. SGMICRO recommends that all integrated circuits be handled with appropriate precautions. Failure to observe proper handling and installation procedures can cause damage. ESD damage can range from subtle performance degradation to complete device failure. Precision integrated circuits may be more susceptible to damage because even small parametric changes could cause the device not to meet the published specifications.

DISCLAIMER

SG Micro Corp reserves the right to make any change in circuit design, or specifications without prior notice.

PIN CONFIGURATION



PIN DESCRIPTION

PIN	NAME	FUNCTION
1	SW	Boost Converter Switching Node.
2	GND	Ground Pin.
3	FB	Feedback Input for Current. It is regulated at 200mV.
4	CTRL	Control Pin of the Boost Regulator. The device can be enabled and 32-step LED current control can be programmed by CTRL pin.
5	VOUT	Output Voltage Pin.
6	VIN	Input Supply Pin.

TYPICAL APPLICATION

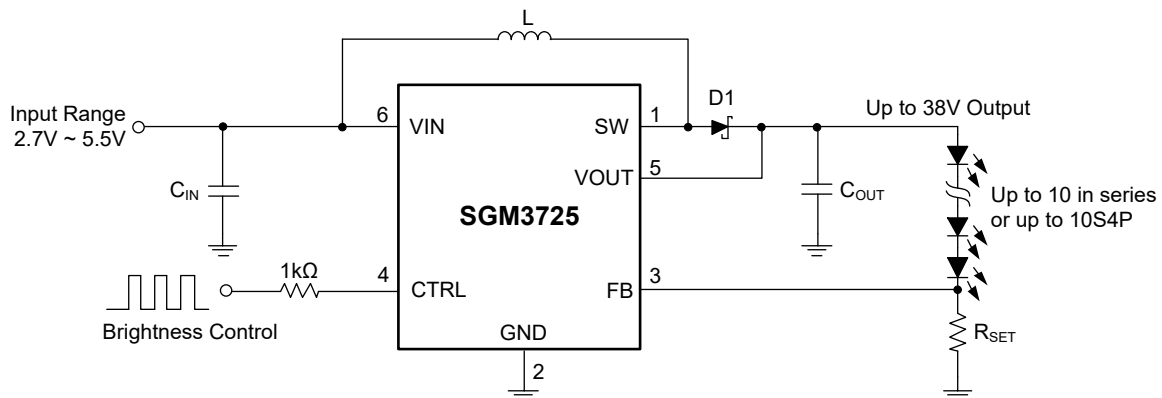


Figure 1. Typical Application Circuit

ELECTRICAL CHARACTERISTICS ⁽¹⁾

($V_{IN} = 3.6V$, $L = 10\mu H$, $C_{IN} = 10\mu F$, $C_{OUT} = 0.47\mu F$, Full = $-40^{\circ}C$ to $+85^{\circ}C$, typical values are at $T_A = +25^{\circ}C$, unless otherwise noted.)

PARAMETER	SYMBOL	CONDITIONS	TEMP	MIN	TYP	MAX	UNITS
IC Supply							
Input Voltage Range	V_{IN}		Full	2.7		5.5	V
Input Under-Voltage Lockout	UVLO	Rising edge	$+25^{\circ}C$		2.5	2.6	V
UVLO Hysteresis	V_{HYS}		$+25^{\circ}C$		0.15		V
Quiescent Current (Non Switching)	I_Q	$V_{FB} = 0.4V$	$+25^{\circ}C$		0.20	0.35	mA
Operating Current (Switching)		$V_{FB} = 0V$	$+25^{\circ}C$		0.72	1.5	mA
VIN Pin Shutdown Current	I_{SHDN}	$V_{EN} = 0V$	$+25^{\circ}C$		0.1	1	μA
Boost Converter							
Voltage Feedback Regulation Voltage	V_{REF}		Full	192	200	212.5	mV
Voltage Feedback Input Bias Current	I_{FB}		Full		0.001	0.3	μA
SW Pin Leakage Current	I_{SW}		$+25^{\circ}C$		0.01	1	μA
Peak NMOS Current Limit	I_{LIM}		$+25^{\circ}C$		1.35		A
Oscillator Frequency	f_s		Full	0.90	1.10	1.4	MHz
Over-Voltage Threshold	V_{OVP}	Measured at VOUT pin	Full	35.5	38.0	40.5	V
Start-Up Time	t_s		$+25^{\circ}C$		800		μs
Control							
Logic Low Threshold	V_{IL}		Full			0.35	V
Logic High Threshold	V_{IH}		Full	1.5			V
Minimum Logic High Pulse Width Timing	t_{HIGH_MIN}		$+25^{\circ}C$	0.4			μs
Logic Low Pulse Width Timing	t_{LOW}		$+25^{\circ}C$	0.4		750	μs
Minimum Shutdown Pulse Width Timing	t_{OFF}		$+25^{\circ}C$	3			ms
Junction Thermal Shutdown Threshold					150		$^{\circ}C$
Junction Thermal Shutdown Hysteresis					15		$^{\circ}C$

NOTE:

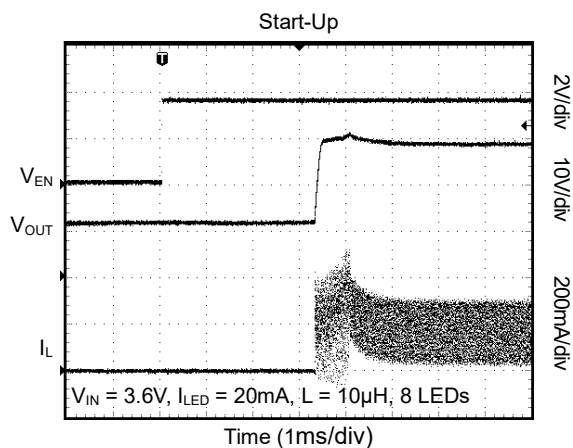
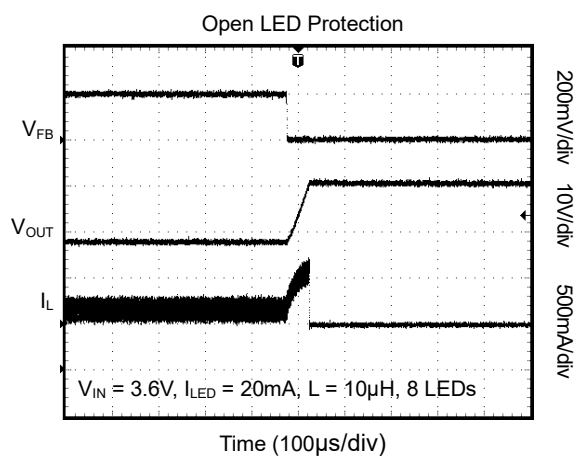
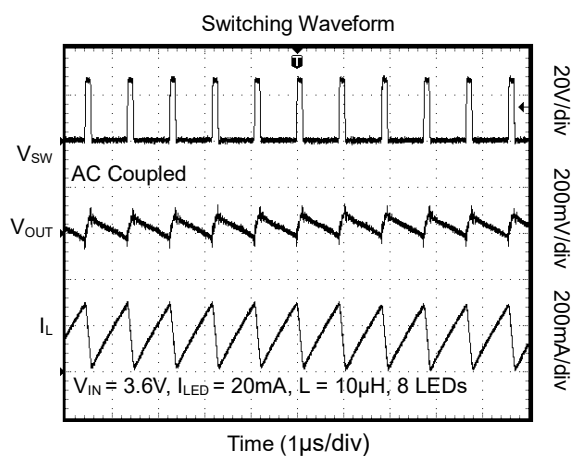
1. The SGM3725 is guaranteed to meet performance specifications over the $-40^{\circ}C$ to $+85^{\circ}C$ operating temperature range by design, characterization and correlation with statistical process controls.

RECOMMENDED COMPONENTS OF TEST CIRCUITS

	Component		Component
Inductor	22 μ H/CD75NP-220KC	Capacitor	10 μ F/C2012X7R1H106KT
	10 μ H/CD75NP-100KC		0.47 μ F/C2012X7R1H474KT
Diode	MBR0540		

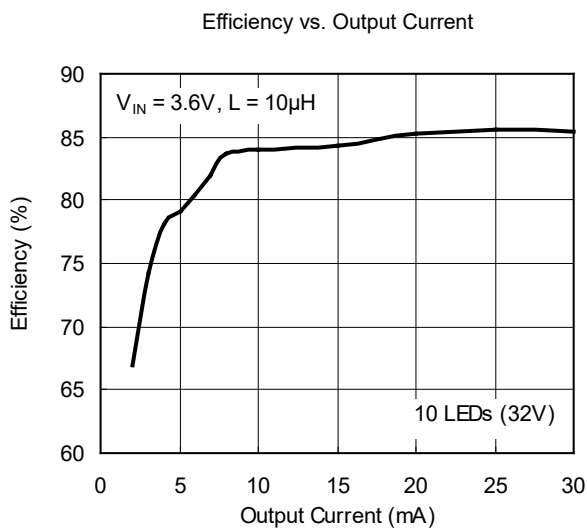
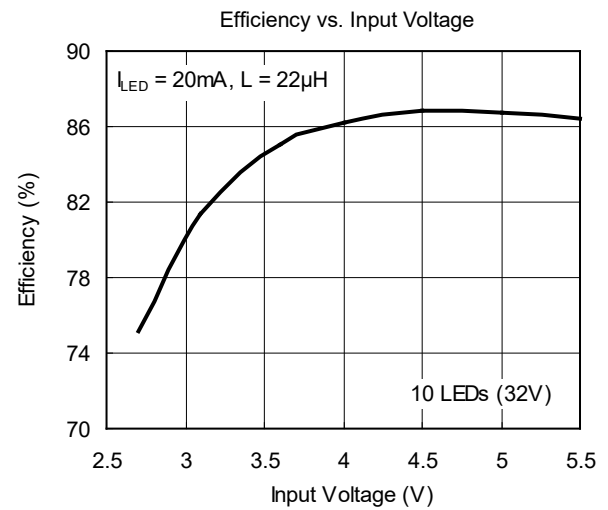
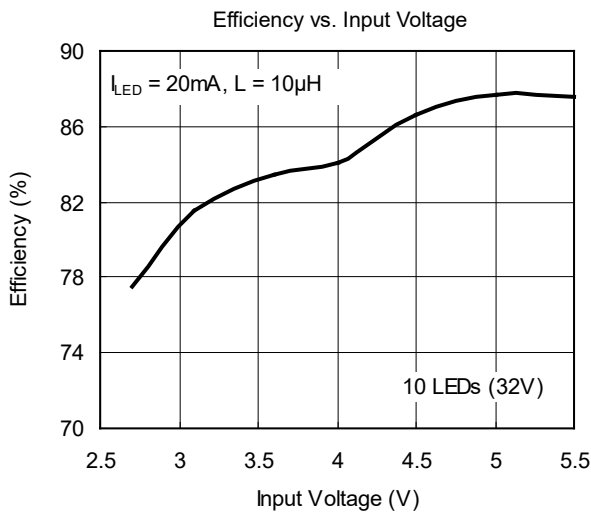
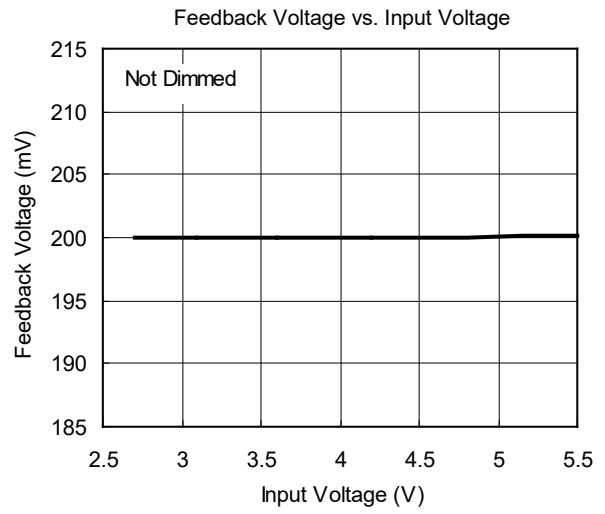
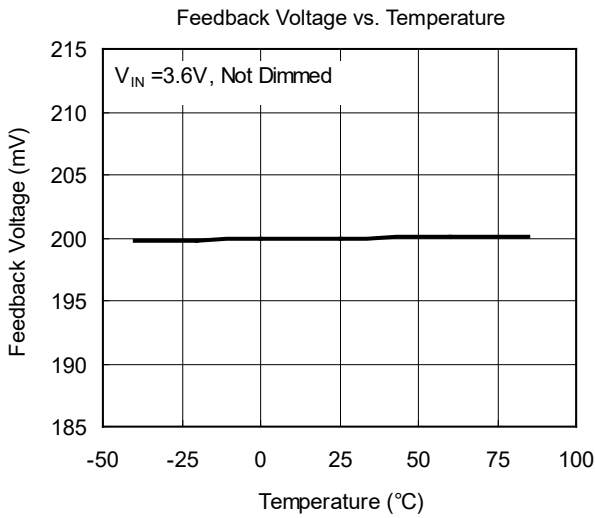
TYPICAL PERFORMANCE CHARACTERISTICS

T_A = +25°C, L = 10 μ H, C_{IN} = 10 μ F, C_{OUT} = 0.47 μ F, unless otherwise noted.



TYPICAL PERFORMANCE CHARACTERISTICS (continued)

T_A = +25°C, L = 10µH, C_{IN} = 10µF, C_{OUT} = 0.47µF, unless otherwise noted.



DETAILED DESCRIPTION

Table 1. Current Setting

Code	LED Current Ratio	Code	LED Current Ratio	Code	LED Current Ratio	Code	LED Current Ratio
1	32/32	9	24/32	17	16/32	25	8/32
2	31/32	10	23/32	18	15/32	26	7/32
3	30/32	11	22/32	19	14/32	27	6/32
4	29/32	12	21/32	20	13/32	28	5/32
5	28/32	13	20/32	21	12/32	29	4/32
6	27/32	14	19/32	22	11/32	30	3/32
7	26/32	15	18/32	23	10/32	31	2/32
8	25/32	16	17/32	24	9/32	32	1/32

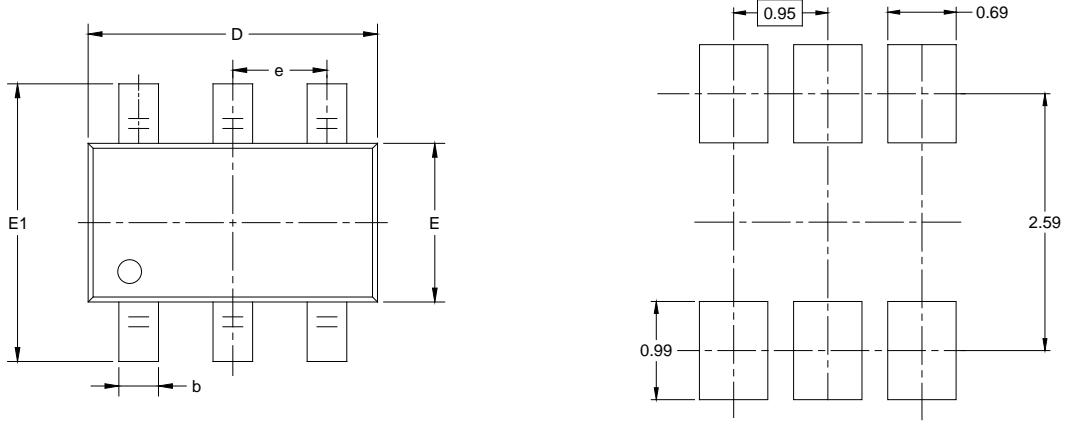
REVISION HISTORY

NOTE: Page numbers for previous revisions may differ from page numbers in the current version.

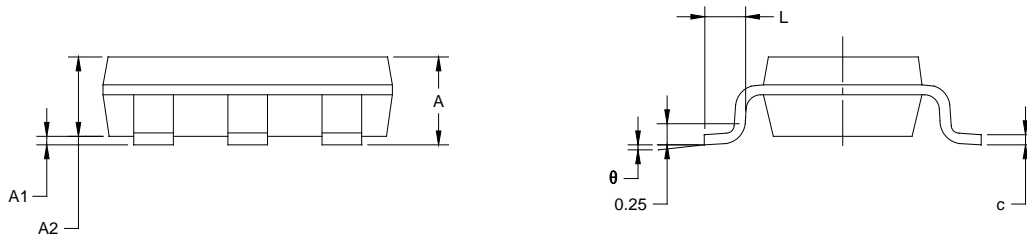
SEPTEMBER 2021 – REV.A.3 to REV.A.4	Page
Changed Ordering Information section	2
Changed Package Outline Dimensions section	12
JULY 2016 – REV.A.2 to REV.A.3	Page
Changed Ordering Number.....	2
Changed Package Outline Dimensions section	11
FEBRUARY 2015 – REV.A.1 to REV.A.2	Page
New version.....	All
JULY 2014 – REV.A to REV.A.1	Page
Changed General Description section.....	1
Changed Figure 1.....	9
Changes from Original (MARCH 2014) to REV.A	Page
Changed from product preview to production data.....	All

PACKAGE OUTLINE DIMENSIONS

TSOT-23-6



RECOMMENDED LAND PATTERN (Unit: mm)



Symbol	Dimensions In Millimeters		
	MIN	MOD	MAX
A	-	-	1.100
A1	0.000	-	0.100
A2	0.700	-	1.000
b	0.300	-	0.500
c	0.080	-	0.200
D	2.820	-	3.050
E	1.550	-	1.700
E1	2.650	-	2.950
e	0.950 BSC		
L	0.300	-	0.600
θ	0°	-	8°

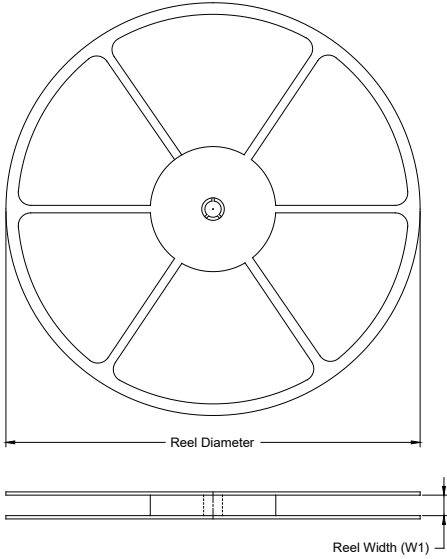
NOTES:

1. Body dimensions do not include mode flash or protrusion.
2. This drawing is subject to change without notice.

PACKAGE INFORMATION

TAPE AND REEL INFORMATION

REEL DIMENSIONS



TAPE DIMENSIONS



NOTE: The picture is only for reference. Please make the object as the standard.

KEY PARAMETER LIST OF TAPE AND REEL

Package Type	Reel Diameter	Reel Width W1 (mm)	A0 (mm)	B0 (mm)	K0 (mm)	P0 (mm)	P1 (mm)	P2 (mm)	W (mm)	Pin1 Quadrant
TSOT-23-6	7"	9.5	3.20	3.10	1.10	4.0	4.0	2.0	8.0	Q3

000001

PACKAGE INFORMATION

CARTON BOX DIMENSIONS



NOTE: The picture is only for reference. Please make the object as the standard.

KEY PARAMETER LIST OF CARTON BOX

Reel Type	Length (mm)	Width (mm)	Height (mm)	Pizza/Carton
7" (Option)	368	227	224	8
7"	442	410	224	18

DD0002