

GENERAL DESCRIPTION

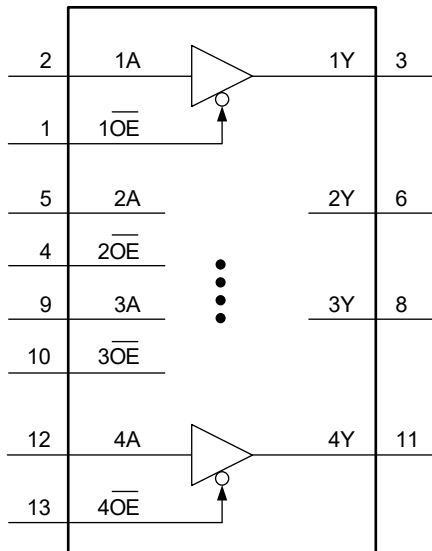
The 74LVTH125 is a high-performance buffer/line driver with 3-state bus outputs designed for 3.3V V_{CC} operation. The device is organized as a quad buffer with separate output enable (\overline{nOE}) inputs, each controlling one of the 3-state outputs. When \overline{nOE} is low, the device passes data from the nA inputs to the nY outputs. When \overline{nOE} is high, the outputs are in the high-impedance state.

The 74LVTH125 bus hold on data inputs eliminates the need for external pull-up/pull-down resistors to hold unused inputs.

FEATURES

- **Wide Operating Voltage Range: 2.7V to 3.6V**
- **Input and Output Interface Capability to 5V System Environment**
- **+64mA/-32mA Output Current**
- **3-State Outputs Drive Bus Lines Directly**
- **Power-Up and I_{OFF} 3-State**
- **Bus Hold on Data Inputs with No Need for External Pull-Up/Pull-Down Resistors**
- **-40°C to +125°C Operating Temperature Range**
- **Available in Green SOIC-14 and TSSOP-14 Packages**

LOGIC DIAGRAM



FUNCTION TABLE

CONTROL INPUT	INPUT	OUTPUT
\overline{nOE}	nA	nY
L	L	L
L	H	H
H	X	Z

H = High Voltage Level
 L = Low Voltage Level
 Z = High-Impedance State
 X = Don't Care

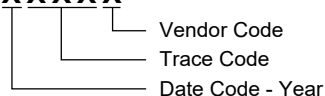
PACKAGE/ORDERING INFORMATION

MODEL	PACKAGE DESCRIPTION	SPECIFIED TEMPERATURE RANGE	ORDERING NUMBER	PACKAGE MARKING	PACKING OPTION
74LVTH125	SOIC-14	-40°C to +125°C	74LVTH125XS14G/TR	74LVTH125XS14 XXXXX	Tape and Reel, 2500
	TSSOP-14	-40°C to +125°C	74LVTH125XTS14G/TR	74LVTH125 XTS14 XXXXX	Tape and Reel, 4000

MARKING INFORMATION

NOTE: XXXXX = Date Code, Trace Code and Vendor Code.

XXXXX



Green (RoHS & HSF): SG Micro Corp defines "Green" to mean Pb-Free (RoHS compatible) and free of halogen substances. If you have additional comments or questions, please contact your SGMICRO representative directly.

ABSOLUTE MAXIMUM RATINGS ⁽¹⁾

Supply Voltage Range, V_{CC}	-0.5V to 4.6V
Input Voltage Range, V_I ⁽²⁾	-0.5V to 7.0V
Output Voltage Range, V_O ⁽²⁾	
3-State or High-State	-0.5V to 7.0V
Input Clamping Current, I_{IK} ($V_I < 0V$)	-50mA
Output Clamping Current, I_{OK} ($V_O < 0V$)	-50mA
Output Current, I_O	
High-State	-64mA
Low-State	128mA
Supply Current, I_{CC}	128mA
Ground Current, I_{GND}	-256mA
Junction Temperature ⁽³⁾	+150°C
Storage Temperature Range	-65°C to +150°C
Lead Temperature (Soldering, 10s)	+260°C
ESD Susceptibility	
HBM	8000V
CDM	1000V

RECOMMENDED OPERATING CONDITIONS

Supply Voltage Range, V_{CC}	2.7V to 3.6V
Input Voltage Range, V_I	0V to 5.5V
High-Level Output Current, I_{OH}	-32mA
Low-Level Output Current, I_{OL}	64mA
Input Transition Rise or Fall Rate, $\Delta t/\Delta V$	10ns/V (MAX)
Operating Temperature Range	-40°C to +125°C

OVERSTRESS CAUTION

- Stresses beyond those listed in Absolute Maximum Ratings may cause permanent damage to the device. Exposure to absolute maximum rating conditions for extended periods may affect reliability. Functional operation of the device at any conditions beyond those indicated in the Recommended Operating Conditions section is not implied.
- The input and output voltage ratings may be exceeded if the input and output clamp current ratings are observed.
- The performance capability of a high-performance integrated circuit in conjunction with its thermal environment can create junction temperatures which are detrimental to reliability.

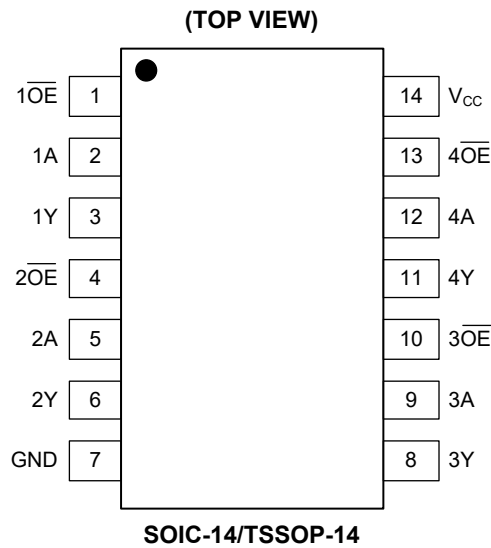
ESD SENSITIVITY CAUTION

This integrated circuit can be damaged if ESD protections are not considered carefully. SGMICRO recommends that all integrated circuits be handled with appropriate precautions. Failure to observe proper handling and installation procedures can cause damage. ESD damage can range from subtle performance degradation to complete device failure. Precision integrated circuits may be more susceptible to damage because even small parametric changes could cause the device not to meet the published specifications.

DISCLAIMER

SG Micro Corp reserves the right to make any change in circuit design, or specifications without prior notice.

PIN CONFIGURATIONS



PIN DESCRIPTION

PIN	NAME	FUNCTION
1, 4, 10, 13	$1\overline{OE}$, $2\overline{OE}$, $3\overline{OE}$, $4\overline{OE}$	Output Enable Inputs (Active-Low).
2, 5, 9, 12	1A, 2A, 3A, 4A	Data Inputs.
3, 6, 8, 11	1Y, 2Y, 3Y, 4Y	Data Outputs.
7	GND	Ground.
14	V_{CC}	Supply Voltage.

ELECTRICAL CHARACTERISTICS

(Full = -40°C to +125°C, all typical values are measured at $V_{CC} = 3.3V$ and $T_A = +25^\circ C$, unless otherwise noted.)

PARAMETER	SYMBOL	CONDITIONS	TEMP	MIN	TYP	MAX	UNITS	
Input Clamping Voltage	V_{IK}	$V_{CC} = 2.7V, I_{IK} = -18mA$	Full	-1.2	-0.78		V	
High-Level Input Voltage	V_{IH}	$V_{CC} = 2.7V$ to 3.6V	Full	2.0			V	
Low-Level Input Voltage	V_{IL}	$V_{CC} = 2.7V$ to 3.6V	Full			0.8	V	
High-Level Output Voltage	V_{OH}	$V_{CC} = 2.7V$ to 3.6V, $I_{OH} = -100\mu A$	Full	$V_{CC} - 0.05$	$V_{CC} - 0.001$		V	
		$V_{CC} = 2.7V, I_{OH} = -8mA$	Full	2.45	2.60			
		$V_{CC} = 3.0V, I_{OH} = -32mA$	Full	2.10	2.65			
Low-Level Output Voltage	V_{OL}	$V_{CC} = 2.7V, I_{OL} = 100\mu A$	Full		0.001	0.05	V	
		$V_{CC} = 2.7V, I_{OL} = 24mA$	Full		0.15	0.28		
		$V_{CC} = 3.0V, I_{OL} = 16mA$	Full		0.1	0.18		
		$V_{CC} = 3.0V, I_{OL} = 32mA$	Full		0.2	0.36		
		$V_{CC} = 3.0V, I_{OL} = 64mA$	Full		0.4	0.55		
Input Leakage Current	I_I	Control pins, $V_{CC} = 3.6V, V_I = V_{CC}$ or GND	Full		± 0.01	± 1	μA	
		Control pins, $V_{CC} = 0V$ or 3.6V, $V_I = 5.5V$	Full		0.01	5		
		Input data pins ⁽¹⁾ , $V_{CC} = 0V$ or 3.6V, $V_I = 5.5V$	Full		0.4	5		
		Input data pins ⁽¹⁾ , $V_{CC} = 3.6V, V_I = V_{CC}$	Full		0.3	3		
		Input data pins ⁽¹⁾ , $V_{CC} = 3.6V, V_I = GND$	Full	-2	-0.01			
Off-State Output Current	I_{OZ}	$V_{CC} = 3.6V, V_O = 3.0V$	Full		0.01	2	μA	
		$V_{CC} = 3.6V, V_O = 0.5V$	Full	-2	-0.01			
Output Leakage Current	I_{LO}	Outputs in high-state when $V_O > V_{CC}$, $V_{CC} = 3.0V, V_O = 5.5V$	Full		1	30	μA	
Power-Up/Down Output Current	$I_{O_PU/PD}$	$V_{CC} \leq 1.2V, V_O = 0.5V$ to $V_{CC}, V_I = GND$ or $V_{CC}, nOE = \text{don't care}$	+25°C		0.01	10	μA	
Power-Off Leakage Current	I_{OFF}	$V_{CC} = 0V, V_I$ or $V_O = 0V$ to 5.5V	Full		0.01	10	μA	
Supply Current	I_{CC}	$V_{CC} = 3.6V,$ $V_I = GND$ or $V_{CC},$ $I_O = 0A$	Outputs high	Full		13	40	μA
			Outputs low	Full		13	40	
			Outputs disabled ⁽²⁾	Full		13	40	
Additional Supply Current ⁽³⁾	ΔI_{CC}	Per input pin, $V_{CC} = 3.0V$ to 3.6V, one input at $V_{CC} - 0.6V$, other inputs at V_{CC} or GND	Full		0.2	200	μA	
Input Capacitance	C_I	$V_I = 0V$ or 3.0V	+25°C		6		pF	
Output Capacitance	C_O	Outputs disabled, $V_O = 0V$ or 3.0V	+25°C		9		pF	
Bus Hold Low Current	I_{BHL}	$V_{CC} = 3.0V, V_I = 0.8V$	Full	50	100		μA	
Bus Hold High Current	I_{BHH}	$V_{CC} = 3.0V, V_I = 2.0V$	Full		-130	-75	μA	
Bus Hold Low Overdrive Current ⁽³⁾	I_{BHL0}	Input data pins, $V_{CC} = 3.6V, V_I = 0V$ to 3.6V	Full	500	200		μA	
Bus Hold High Overdrive Current ⁽³⁾	I_{BH0}	Input data pins, $V_{CC} = 3.6V, V_I = 0V$ to 3.6V	Full		-280	-500	μA	

NOTES:

- Other pins must be tied to V_{CC} or GND and should not be floating.
- I_{CC} is measured with outputs pulled to V_{CC} or GND.
- It is the minimum overdrive current required to switch the input from one state to another.

DYNAMIC CHARACTERISTICS

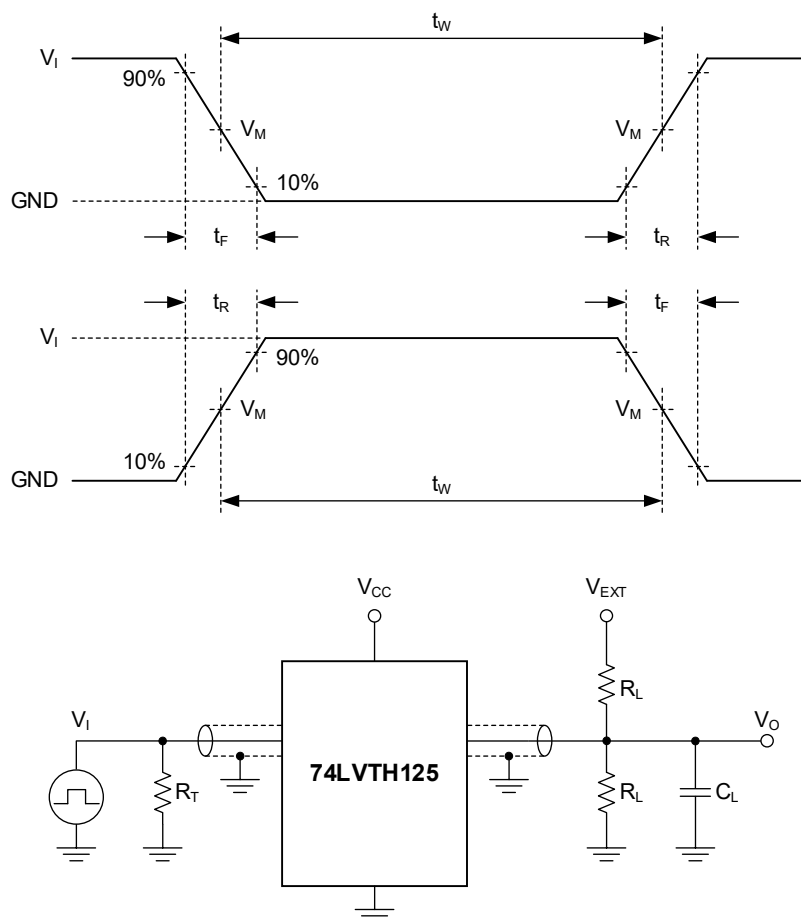
(See Figure 1 for test circuit. Full = -40°C to +125°C, all typical values are measured at $V_{CC} = 3.3V$ and $T_A = +25^\circ C$, unless otherwise noted.)

PARAMETER	SYMBOL	CONDITIONS	TEMP	MIN ⁽¹⁾	TYP	MAX ⁽¹⁾	UNITS	
Low-to-High Propagation Delay	t_{PLH}	nA to nY, see Figure 2	$V_{CC} = 2.7V$	Full		3.0	6.5	ns
			$V_{CC} = 3.0V$ to 3.6V	Full	1.0	3.0	6.0	
High-to-Low Propagation Delay	t_{PHL}	nA to nY, see Figure 2	$V_{CC} = 2.7V$	Full		3.5	5.5	ns
			$V_{CC} = 3.0V$ to 3.6V	Full	0.5	3.0	5.0	
Off-to-High Propagation Delay	t_{PZH}	$n\overline{OE}$ to nY, see Figure 3	$V_{CC} = 2.7V$	Full		4.0	8.0	ns
			$V_{CC} = 3.0V$ to 3.6V	Full	1.0	3.5	6.5	
Off-to-Low Propagation Delay	t_{PZL}	$n\overline{OE}$ to nY, see Figure 3	$V_{CC} = 2.7V$	Full		3.5	5.5	ns
			$V_{CC} = 3.0V$ to 3.6V	Full	0.5	3.0	5.0	
High-to-Off Propagation Delay	t_{PHZ}	$n\overline{OE}$ to nY, see Figure 3	$V_{CC} = 2.7V$	Full		4.0	5.5	ns
			$V_{CC} = 3.0V$ to 3.6V	Full	1.0	4.0	5.0	
Low-to-Off Propagation Delay	t_{PLZ}	$n\overline{OE}$ to nY, see Figure 3	$V_{CC} = 2.7V$	Full		3.5	5.0	ns
			$V_{CC} = 3.0V$ to 3.6V	Full	1.0	3.5	5.0	

NOTE:

1. Specified by design and characterization, not production tested.

TEST CIRCUIT



Test conditions are given in Table 1.

Definitions for test circuit:

R_L : Load resistance.

C_L : Load capacitance (includes jig and probe).

R_T : Termination resistance (equals to output impedance Z_O of the pulse generator).

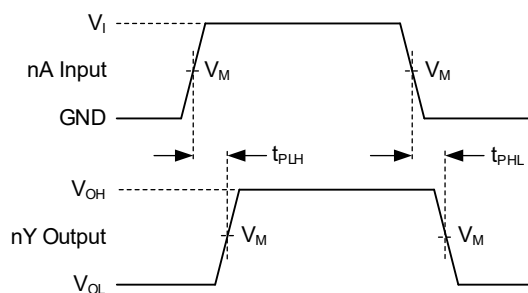
V_{EXT} : External voltage is used to measure switching time.

Figure 1. Test Circuit for Measuring Switching Times

Table 1. Test Conditions

SUPPLY VOLTAGE	INPUT		LOAD		V_{EXT}		
V_{CC}	V_I	t_R, t_F	C_L	R_L	t_{PHZ}, t_{PZH}	t_{PLZ}, t_{PZL}	t_{PLH}, t_{PHL}
2.7V to 3.6V	2.7V	$\leq 2.5\text{ns}$	50pF	500 Ω	GND	6V	Open

WAVEFORMS

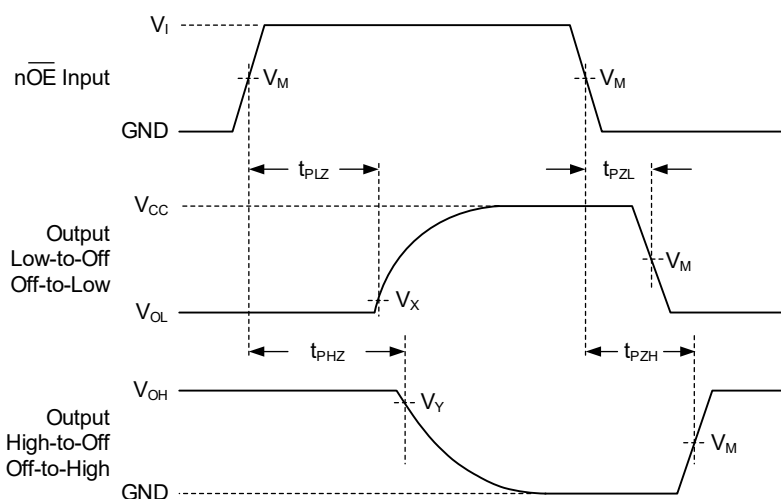


Test conditions are given in Table 1.

Measurement points are given in Table 2.

Logic levels: V_{OL} and V_{OH} are typical output voltage levels that occur with the output load.

Figure 2. Input (nA) to Output (nY) Propagation Delays



Test conditions are given in Table 1.

Measurement points are given in Table 2.

Logic levels: V_{OL} and V_{OH} are typical output voltage levels that occur with the output load.

Figure 3. Enable and Disable Times

Table 2. Measurement Points

SUPPLY VOLTAGE	INPUT		OUTPUT		
V_{CC}	V_I	$V_M^{(1)}$	V_M	V_X	V_Y
2.7V to 3.6V	2.7V	1.5V	1.5V	$V_{OL} + 0.3V$	$V_{OH} - 0.3V$

NOTE:

1. The measurement points should be V_{IH} or V_{IL} when the input rising or falling time exceeds 2.5ns.

REVISION HISTORY

NOTE: Page numbers for previous revisions may differ from page numbers in the current version.

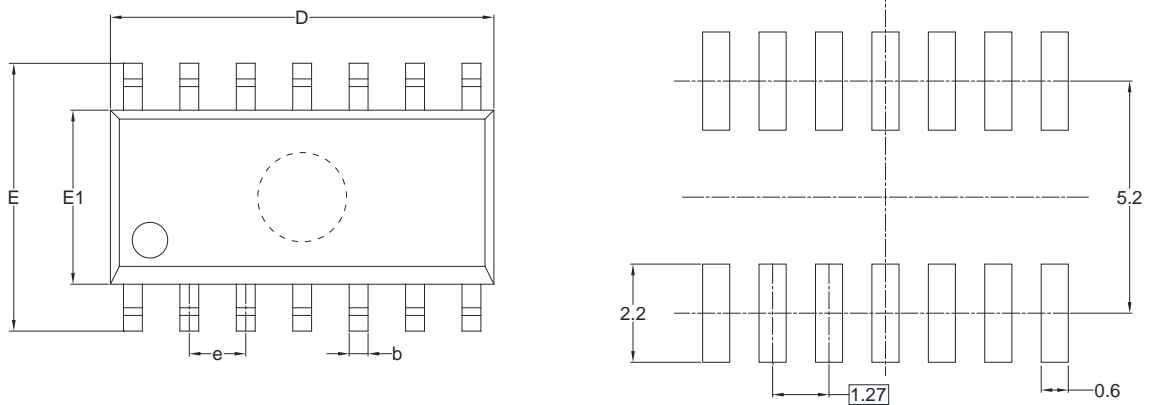
JUNE 2024 – REV.A.1 to REV.A.2	Page
Added TSSOP-14 package.....	All

FEBRUARY 2024 – REV.A to REV.A.1	Page
Updated Dynamic Characteristics section.....	5

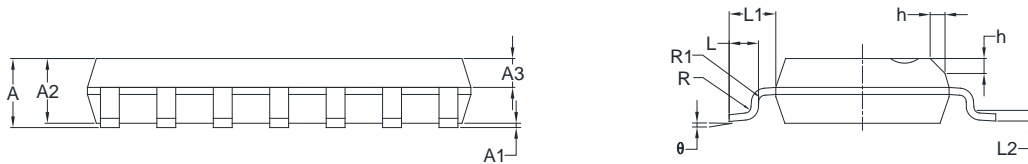
Changes from Original (APRIL 2021) to REV.A	Page
Changed from product preview to production data.....	All

PACKAGE OUTLINE DIMENSIONS

SOIC-14



RECOMMENDED LAND PATTERN (Unit: mm)



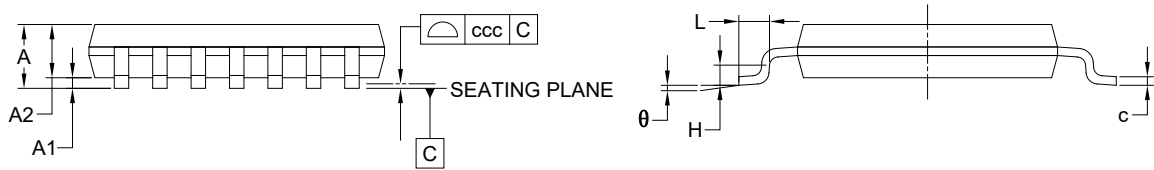
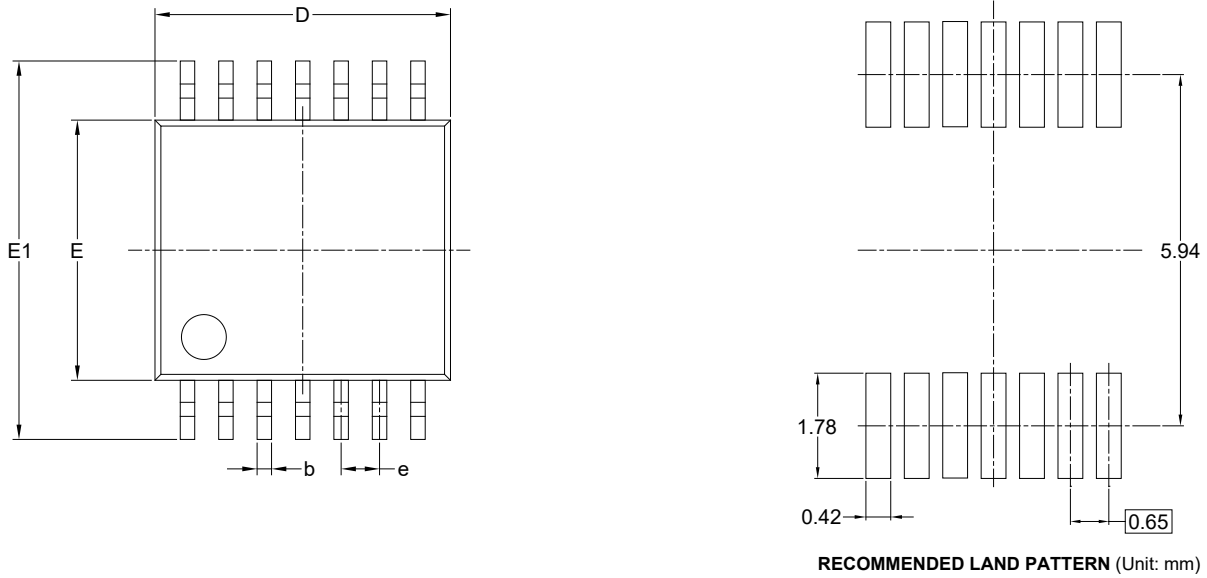
Symbol	Dimensions In Millimeters		Dimensions In Inches	
	MIN	MAX	MIN	MAX
A	1.35	1.75	0.053	0.069
A1	0.10	0.25	0.004	0.010
A2	1.25	1.65	0.049	0.065
A3	0.55	0.75	0.022	0.030
b	0.36	0.49	0.014	0.019
D	8.53	8.73	0.336	0.344
E	5.80	6.20	0.228	0.244
E1	3.80	4.00	0.150	0.157
e	1.27 BSC		0.050 BSC	
L	0.45	0.80	0.018	0.032
L1	1.04 REF		0.040 REF	
L2	0.25 BSC		0.01 BSC	
R	0.07		0.003	
R1	0.07		0.003	
h	0.30	0.50	0.012	0.020
θ	0°	8°	0°	8°

NOTES:

1. Body dimensions do not include mode flash or protrusion.
2. This drawing is subject to change without notice.

PACKAGE OUTLINE DIMENSIONS

TSSOP-14



Symbol	Dimensions In Millimeters		
	MIN	MOD	MAX
A	-	-	1.200
A1	0.050	-	0.150
A2	0.800	-	1.050
b	0.190	-	0.300
c	0.090	-	0.200
D	4.860	-	5.100
E	4.300	-	4.500
E1	6.200	-	6.600
e	0.650 BSC		
L	0.450	-	0.750
H	0.250 TYP		
θ	0°	-	8°
ccc	0.100		

NOTES:

1. This drawing is subject to change without notice.
2. The dimensions do not include mold flashes, protrusions or gate burrs.
3. Reference JEDEC MO-153.

TAPE AND REEL INFORMATION

REEL DIMENSIONS



TAPE DIMENSIONS



NOTE: The picture is only for reference. Please make the object as the standard.

KEY PARAMETER LIST OF TAPE AND REEL

Package Type	Reel Diameter	Reel Width W1 (mm)	A0 (mm)	B0 (mm)	K0 (mm)	P0 (mm)	P1 (mm)	P2 (mm)	W (mm)	Pin1 Quadrant
SOIC-14	13"	16.4	6.60	9.30	2.10	4.0	8.0	2.0	16.0	Q1
TSSOP-14	13"	12.4	6.80	5.40	1.50	4.0	8.0	2.0	12.0	Q1

D00001

PACKAGE INFORMATION

CARTON BOX DIMENSIONS



NOTE: The picture is only for reference. Please make the object as the standard.

KEY PARAMETER LIST OF CARTON BOX

Reel Type	Length (mm)	Width (mm)	Height (mm)	Pizza/Carton
13"	386	280	370	5

DD0002