

GENERAL DESCRIPTION

The SGM42406 consists of 8 identical low-side drivers with series protection functions. The device integrates diodes for inductive load demagnetizing, and can drive different kinds of loads. For example, brushed motor, relays, LEDs, unipolar stepper motor and so on.

The SGM42406 can provide continuous output current up to 930mA (1-channel on) or 310mA/channel (8-channel on) by TSSOP-16 package at +25°C. And it can provide continuous output current up to 1000mA (1-channel on) or 510mA/channel (8-channel on) by TSSOP-16 (Exposed Pad) package at +25°C. The SGM42406 provides a serial interface, which can read/write the data register/control register (configuring the energizing time & PWM duty cycle) through the serial interface, and also can diagnose the open-load or over-current fault condition. Multiple devices can be daisy-chain connected together to save the microcontroller resource.

The device has multiple protection functions, including open-load detection, over-temperature shutdown, over-current and short-circuit protections. Fault conditions are indicated on the nFAULT pin.

The SGM42406 is available in Green TSSOP-16 and TSSOP-16 (Exposed Pad) packages.

SIMPLIFIED SCHEMATIC

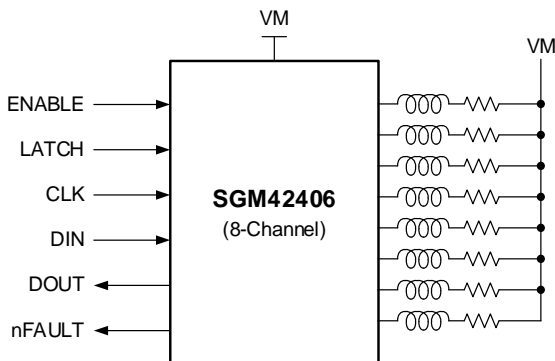


Figure 1. Simplified Schematic

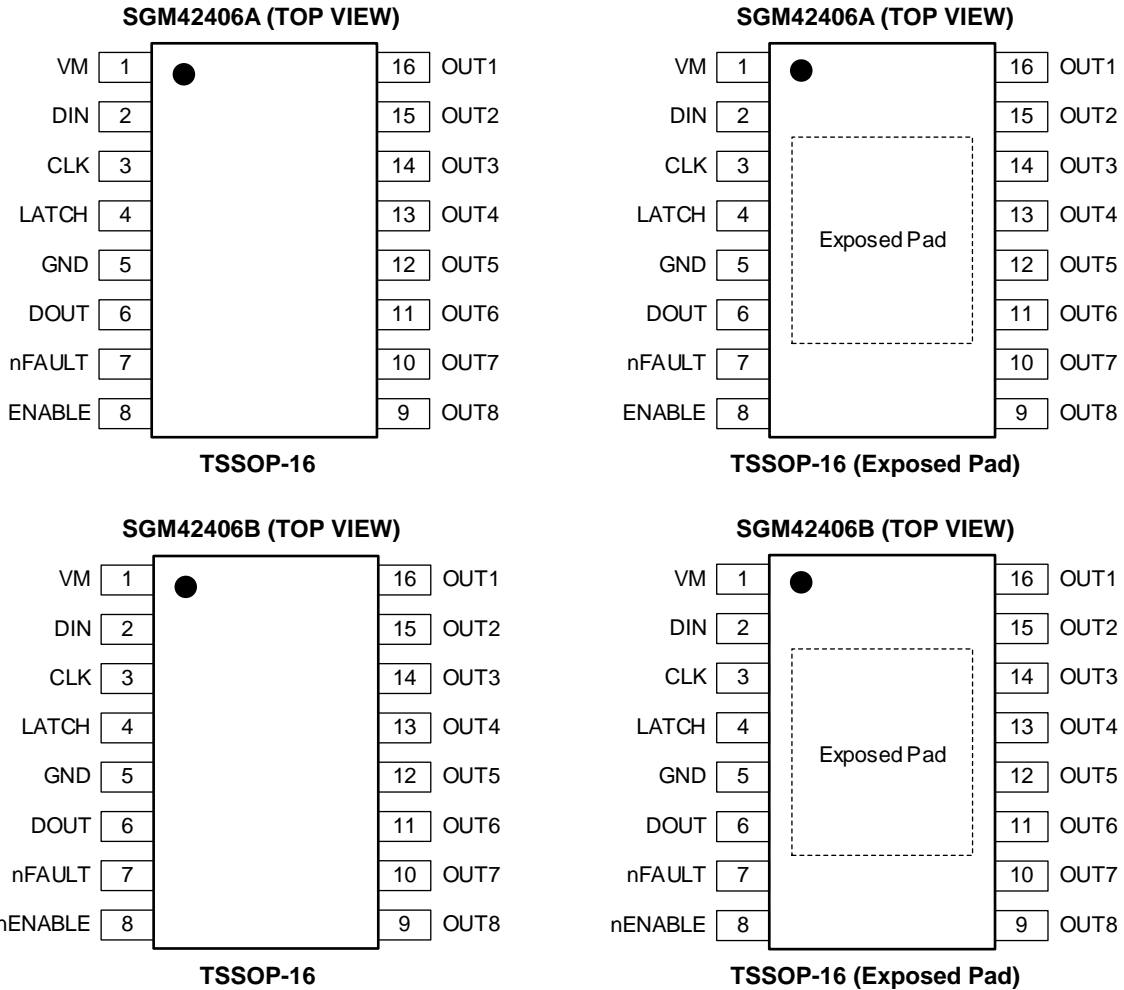
FEATURES

- Power Supply Voltage Range: 8V to 38V
- 8-Channel Serial Interface Low-side Driver
- Each Channel with Independent Over-Current Protection and Open-Load Detection
- Integrated Diode for Inductive Load
- Configurable PWM Chopping Duty Cycle
- Configurable Energizing Time
- Output Current Capability at T_J = +25°C:
 - TSSOP-16 Package:
 - ◆ 930mA (1-Channel On)
 - ◆ 310mA (8-Channel On)
 - TSSOP-16 (Exposed Pad) Package:
 - ◆ 1000mA (1-Channel On)
 - ◆ 510mA (8-Channel On)
 - ◆ Can be Paralleled for Higher Current Capability
- Enable Control:
 - ◆ SGM42406A: Active-High
 - ◆ SGM42406B: Active-Low
- Noise Filter for Serial Interface
- Data Output can be Read Back for Reliable Verification
- Protection and Features:
 - ◆ Under-Voltage Lockout (UVLO)
 - ◆ Open-Load Detection (OL)
 - ◆ Over-Temperature Shutdown (OTS)
 - ◆ Over-Current Protection (OCP)
 - ◆ Individual Channel Status Report
 - ◆ Active-Low Fault Indication Pin
- Available in Green TSSOP-16 and TSSOP-16 (Exposed Pad) Packages

APPLICATIONS

Home Appliances

PIN CONFIGURATIONS



PIN DESCRIPTION

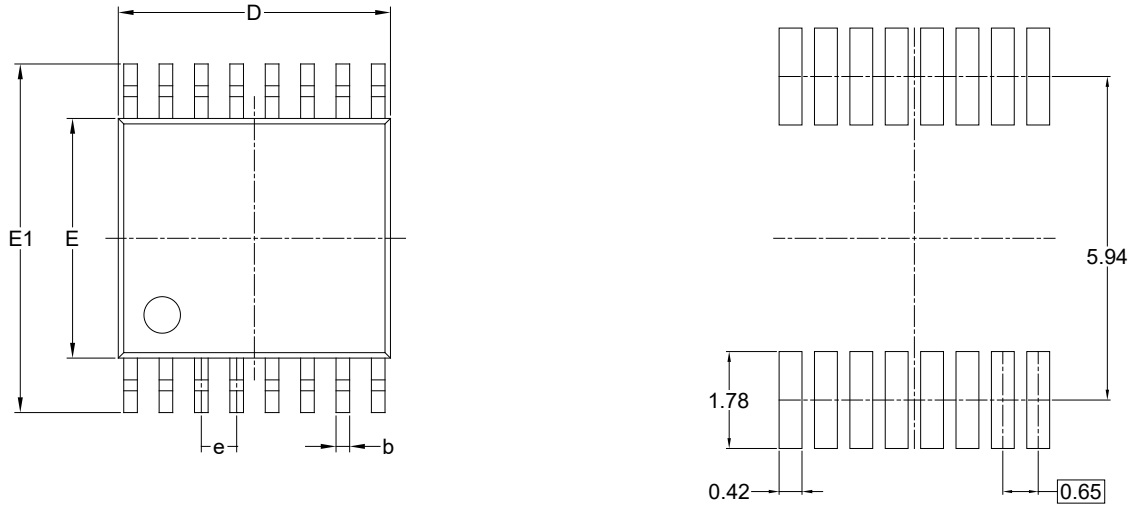
PIN	NAME	FUNCTION
1	VM ⁽¹⁾	Power Supply. Connect a 0.1µF bypass capacitor and a 10µF ceramic capacitor between VM and GND pins.
2	DIN	Data Input Signal. Internal pull-down.
3	CLK	Clock Input Signal. Data is clocked into the device when CLK rising edge, and data is clocked out when CLK falling edge.
4	LATCH	Serial Latch Signal. Internal pull-down.
5	GND	Ground.
6	DOUT	Serial Data Output Signal. Output open-drain, pull-up internally.
7	nFAULT ⁽²⁾	Active-Low Fault Flag. Go low when a fault occurs (over-temperature, over-current or open-load). Output open-drain, external pull-up is required.
8	ENABLE	Enable Input. Active-high for SGM42406A (ENABLE).
	nENABLE	Enable Input. Active-low for SGM42406B (nENABLE).
9 ~ 16	OUT8 ~ OUT1	Low-side Outputs.
Exposed Pad	-	TSSOP-16 (Exposed Pad) Package Only. Connect to ground.

NOTES:

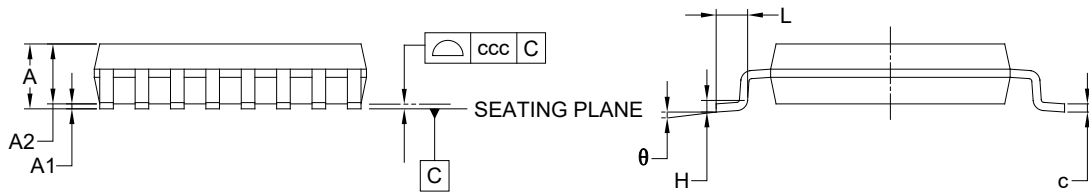
1. A 0.1µF ceramic capacitor and a 10µF electrolytic capacitor are rated for VM.
2. It is recommended to use R_{nFAULT} (> 4.7kΩ) between V3P3 and nFAULT. V3P3 is not a device pin, but an external V3P3 pull-up is required for nFAULT (open-drain output).

PACKAGE OUTLINE DIMENSIONS

TSSOP-16



RECOMMENDED LAND PATTERN (Unit: mm)



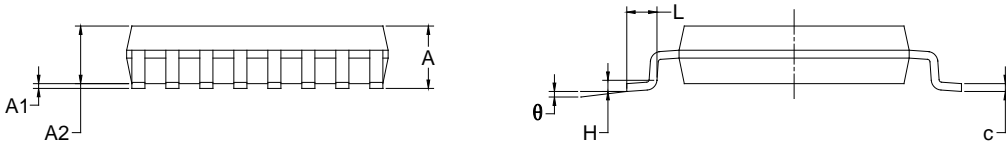
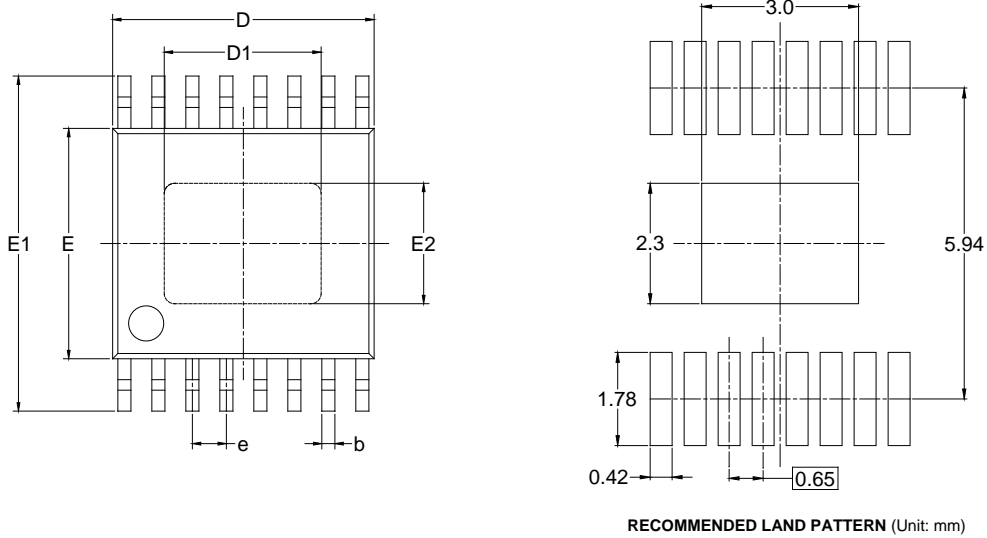
Symbol	Dimensions In Millimeters		
	MIN	MOD	MAX
A	-	-	1.200
A1	0.050	-	0.150
A2	0.800	-	1.050
b	0.190	-	0.300
c	0.090	-	0.200
D	4.860	-	5.100
E	4.300	-	4.500
E1	6.200	-	6.600
e	0.650 BSC		
L	0.450	-	0.750
H	0.250 TYP		
θ	0°	-	8°
ccc	0.100		

NOTES:

1. This drawing is subject to change without notice.
2. The dimensions do not include mold flashes, protrusions or gate burrs.
3. Reference JEDEC MO-153.

PACKAGE OUTLINE DIMENSIONS

TSSOP-16 (Exposed Pad)



Symbol	Dimensions In Millimeters		Dimensions In Inches	
	MIN	MAX	MIN	MAX
A		1.100		0.043
A1	0.050	0.150	0.002	0.006
A2	0.800	1.000	0.031	0.039
b	0.190	0.300	0.007	0.012
c	0.090	0.200	0.004	0.008
D	4.900	5.100	0.193	0.201
D1	2.900	3.100	0.114	0.122
E	4.300	4.500	0.169	0.177
E1	6.250	6.550	0.246	0.258
E2	2.200	2.400	0.087	0.094
e	0.650 BSC		0.026 BSC	
L	0.500	0.700	0.02	0.028
H	0.25 TYP		0.01 TYP	
θ	1°	7°	1°	7°

NOTES:
 1. Body dimensions do not include mode flash or protrusion.
 2. This drawing is subject to change without notice.

PACKAGE INFORMATION

TAPE AND REEL INFORMATION

REEL DIMENSIONS



TAPE DIMENSIONS



NOTE: The picture is only for reference. Please make the object as the standard.

KEY PARAMETER LIST OF TAPE AND REEL

Package Type	Reel Diameter	Reel Width W1 (mm)	A0 (mm)	B0 (mm)	K0 (mm)	P0 (mm)	P1 (mm)	P2 (mm)	W (mm)	Pin1 Quadrant
TSSOP-16	13"	12.4	6.80	5.40	1.50	4.0	8.0	2.0	12.0	Q1
TSSOP-16 (Exposed Pad)	13"	12.4	6.80	5.40	1.50	4.0	8.0	2.0	12.0	Q1

000001

PACKAGE INFORMATION

CARTON BOX DIMENSIONS



NOTE: The picture is only for reference. Please make the object as the standard.

KEY PARAMETER LIST OF CARTON BOX

Reel Type	Length (mm)	Width (mm)	Height (mm)	Pizza/Carton
13"	386	280	370	5

DD0002