

### GENERAL DESCRIPTION

The SGM42622B is a low voltage stepper motor driver with control logic and low  $R_{DS(ON)}$  MOSFET power stages all integrated in a small TQFN package.

This device uses fixed off-time PWM current control for two independent H-bridges and is capable for fine microstepping resolution up to 1/256. Aimed for battery-powered applications, it can go to near zero-power standby mode for increased battery life.

A full set of protection features are provided including over-current, short-circuit, and thermal shutdown.

The SGM42622B is available in a Green TQFN-3×3-16L package. It operates over an ambient temperature range of -40°C to +85°C.

### FEATURES

- **Motor Power Supply Voltage Range: 1.8V to 12V**
- **1.3A Maximum RMS Output Current**
- **Low  $R_{DS(ON)}$ : 0.5Ω (HS + LS) at +25°C**
- **Up to 1/256 Microstepping Resolution**
- **Adaptive Mixed Current Decay Modes**
- **Programmable Off-Time**
- **Full Set of Protections**
  - ◆ **Lossless Over-Current Protection**
  - ◆ **Short-Circuit Protection**
  - ◆ **Thermal Shutdown**
- **Less than 80nA Standby Current for Long Battery Life**
- **-40°C to +85°C Operating Temperature Range**
- **Available in a Green TQFN-3×3-16L Package**

### APPLICATIONS

- Toys
- Gaming Machines
- Robotics
- Point of Sale Devices
- Printers

### TYPICAL APPLICATION

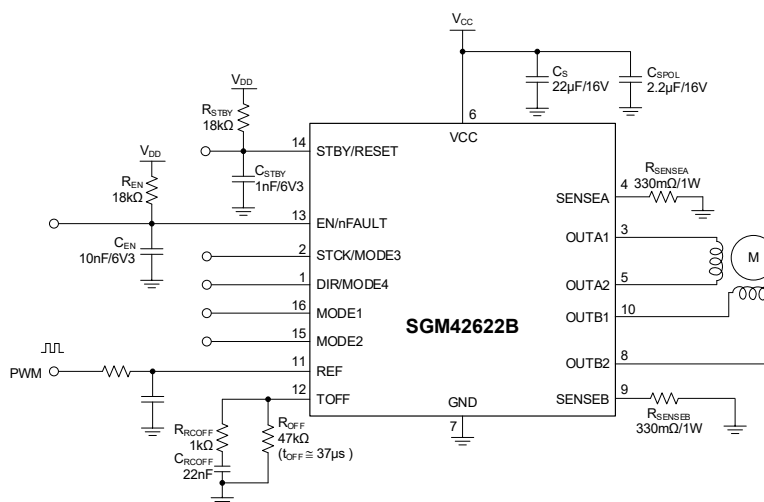


Figure 1. Typical Application Circuit

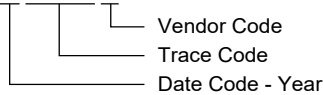
**PACKAGE/ORDERING INFORMATION**

MODEL	PACKAGE DESCRIPTION	SPECIFIED TEMPERATURE RANGE	ORDERING NUMBER	PACKAGE MARKING	PACKING OPTION
SGM42622B	TQFN-3×3-16L	-40°C to +85°C	SGM42622BYTQ16G/TR	O6ETQ XXXXXX	Tape and Reel, 4000

**MARKING INFORMATION**

NOTE: XXXXX = Date Code, Trace Code and Vendor Code.

**XXXXX**



Green (RoHS & HSF): SG Micro Corp defines "Green" to mean Pb-Free (RoHS compatible) and free of halogen substances. If you have additional comments or questions, please contact your SGMICRO representative directly.

**ABSOLUTE MAXIMUM RATINGS**

Supply Voltage, $V_{CC}$	-0.3V to 13.2V
Logic Input Voltage	-0.3V to 5.5V
Output-to-Sense Voltage Drop, $V_{OUT} - V_{SENSE}$	12V
Supply-to-Output Voltage Drop, $V_{CC} - V_{OUT}$	12V
Sense Pin Voltage, $V_{SENSE}$	-1V to 1V
Input Reference Voltage, $V_{REF}$	-0.3V to 1V
Continuous Power Stage Output Current (Each Bridge)	
$I_{OUT, RMS}$	1.3A <sub>RMS</sub>
Power Dissipation, $P_D @ T_A = +25^\circ C$	
TQFN-3×3-16L	1.5W
Junction Temperature	+150°C
Storage Temperature Range	-65°C to +150°C
Lead Temperature (Soldering, 10s)	+260°C
ESD Susceptibility	
HBM	4000V
CDM	1000V

**RECOMMENDED OPERATING CONDITIONS**

Supply Voltage, $V_{CC}$	1.8V to 12V
Logic Input Voltage	0V to 5V
Input Reference Voltage, $V_{REF}$	0.1V to 0.5V
Logic Inputs Positive/Negative Pulse Width, $t_{INW}$	> 300ns
Operating Temperature Range	-40°C to +85°C

**OVERSTRESS CAUTION**

Stresses beyond those listed in Absolute Maximum Ratings may cause permanent damage to the device. Exposure to absolute maximum rating conditions for extended periods may affect reliability. Functional operation of the device at any conditions beyond those indicated in the Recommended Operating Conditions section is not implied.

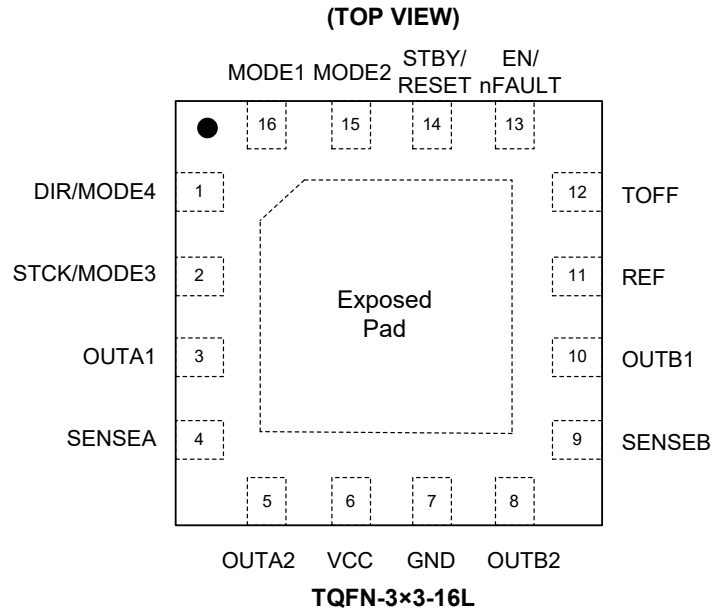
**ESD SENSITIVITY CAUTION**

This integrated circuit can be damaged if ESD protections are not considered carefully. SGMICRO recommends that all integrated circuits be handled with appropriate precautions. Failure to observe proper handling and installation procedures can cause damage. ESD damage can range from subtle performance degradation to complete device failure. Precision integrated circuits may be more susceptible to damage because even small parametric changes could cause the device not to meet the published specifications.

**DISCLAIMER**

SG Micro Corp reserves the right to make any change in circuit design, or specifications without prior notice.

PIN CONFIGURATION



PIN DESCRIPTION

PIN	NAME	TYPE	FUNCTION
1	DIR/MODE4	I	Direction Input or Step Mode Selection Input 4.
2	STCK/MODE3	I	Step Clock Input or Step Mode Selection Input 3.
3	OUTA1	O	Bridge A Output 1.
4	SENSEA	O	Bridge A I <sub>SENSE</sub> (GND). Connect with a small sensing resistor to power ground.
5	OUTA2	O	Bridge A Output 2.
6	VCC	-	Device Supply Voltage.
7	GND	G	Device Ground.
8	OUTB2	O	Bridge B Output 2.
9	SENSEB	O	Bridge B I <sub>SENSE</sub> (GND). Connect with a small sensing resistor to power ground.
10	OUTB1	O	Bridge B Output 1.
11	REF	I	Current Set Reference Voltage Input.
12	TOFF	I	Internal Oscillator Frequency Adjustment.
13	EN/nFAULT	I/OD	5V Logic-Compliant Power Stage Enable Input or Alert Output. Power stage is shutdown if it is not pulled high. This pin is also the device fault output with internal open-drain driver. If a fault occurs, it will be pulled down internally.
14	STBY/RESET	I	5V Logic-Compliant Standby Input. Device goes to low power mode if pulled low.
15	MODE2	I	Step Mode Selection Input 2.
16	MODE1	I	Step Mode Selection Input 1.
Exposed Pad	GND	G	Device Ground.

NOTE: Directions: I = input, O = output, OD = open-drain output, I/O = input/output, G = ground.

## ELECTRICAL CHARACTERISTICS

(T<sub>A</sub> = +25°C and V<sub>CC</sub> = 5V, unless otherwise noted.)

PARAMETER	SYMBOL	CONDITIONS	MIN	TYP	MAX	UNITS
<b>Power Supplies</b>						
Power Supply Voltage	V <sub>CC</sub>		1.8		12	V
V <sub>CC</sub> Turn-On Voltage	V <sub>CCTH_ON</sub>	V <sub>CC</sub> rising from 0V	1.1	1.47	1.8	V
V <sub>CC</sub> Turn-Off Voltage	V <sub>CCTH_OFF</sub>	V <sub>CC</sub> falling from 5V	1	1.31	1.64	V
V <sub>CC</sub> Hysteresis Voltage	V <sub>CCTH_HYS</sub>			180		mV
V <sub>CC</sub> Supply Current	I <sub>CC</sub>	No commutations, EN = low, R <sub>OFF</sub> = 160kΩ		2700	3500	μA
		No commutations, EN = high, R <sub>OFF</sub> = 160kΩ		2800	3650	μA
V <sub>CC</sub> Standby Current	I <sub>CC_STBY</sub>	V <sub>STBY</sub> = 0V		10	80	nA
Standby Low Logic Level Input Voltage	V <sub>STBYL</sub>	T <sub>A</sub> = -40°C to +85°C			0.6	V
Standby High Logic Level Input Voltage	V <sub>STBYH</sub>	T <sub>A</sub> = -40°C to +85°C	1.6			V
<b>Power Stage</b>						
Total On-Resistance (HS + LS)	R <sub>DS(on)</sub>	V <sub>CC</sub> = 10V, I <sub>OUT</sub> = 1.3A		0.43	0.6	Ω
		V <sub>CC</sub> = 3V, I <sub>OUT</sub> = 0.4A		0.5	0.65	
Rise Time	t <sub>RISE</sub>	V <sub>CC</sub> = 10V, unloaded outputs		40		ns
Fall Time	t <sub>FALL</sub>	V <sub>CC</sub> = 10V, unloaded outputs		40		ns
Dead Time	t <sub>DT</sub>			260		ns
<b>Current Control</b>						
Sensing Offset	V <sub>SENSE_OFFSET</sub>	V <sub>REF</sub> = 0.5V, internal reference 20% V <sub>REF</sub>	-15		15	mV
Total Off-Time	t <sub>OFF</sub>	R <sub>OFF</sub> = 10kΩ		9		μs
		R <sub>OFF</sub> = 160kΩ		106		μs
Slow Decay Time	t <sub>OFF_SLOW</sub>			5/8 × t <sub>OFF</sub>		μs
Fast Decay Time	t <sub>OFF_FAST</sub>			3/8 × t <sub>OFF</sub>		μs
<b>Logic IOs</b>						
High Logic Level Input Voltage	V <sub>IH</sub>	T <sub>A</sub> = -40°C to +85°C	1.6			V
Low Logic Level Input Voltage	V <sub>IL</sub>	T <sub>A</sub> = -40°C to +85°C			0.6	V
EN Low Logic Level Output Voltage	V <sub>OL</sub>	I <sub>EN</sub> = 4mA			0.8	V
STBY Pull-Down Resistance	R <sub>STBY</sub>			145		kΩ
EN Pull-Down Current	I <sub>PDEN</sub>			12		μA

**ELECTRICAL CHARACTERISTICS (continued)**

(T<sub>A</sub> = +25°C and V<sub>CC</sub> = 5V, unless otherwise noted.)

PARAMETER	SYMBOL	CONDITIONS	MIN	TYP	MAX	UNITS
EN Input Propagation Delay	t <sub>ENd</sub>	From EN falling edge to OUT high-impedance		2000		ns
MODEx Input Hold Time	t <sub>MODEho</sub>	From STBY edge	200			μs
MODEx Input Setup Time	t <sub>MODEsu</sub>	From STBY edge	2			μs
DIR Input Hold Time	t <sub>DIRho</sub>	From STCK rising edge	200			ns
DIR Input Setup Time	t <sub>DIRsu</sub>	From STCK rising edge	200			ns
STCK High Time	t <sub>STCKH</sub>		200			ns
STCK Low Time	t <sub>STCKL</sub>		200			ns
STCK Inputs Frequency	f <sub>STCK</sub>				1	MHz
OCP Retry Time	t <sub>OCP_RETRY</sub>			16		ms
<b>Protections</b>						
Thermal Shutdown Threshold	T <sub>TSD</sub>			170		°C
Thermal Shutdown Hysteresis	T <sub>HYS</sub>			40		°C
Over-Current Protection Threshold	I <sub>OCP</sub>			2		A

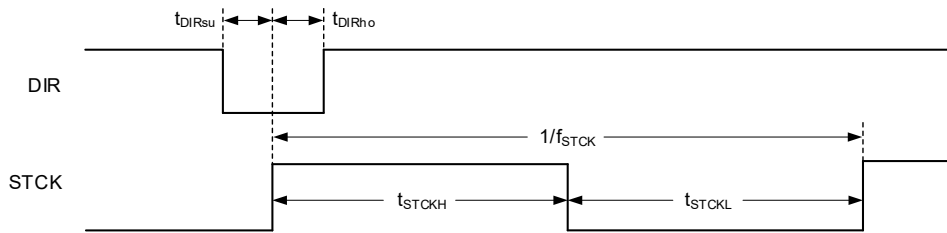
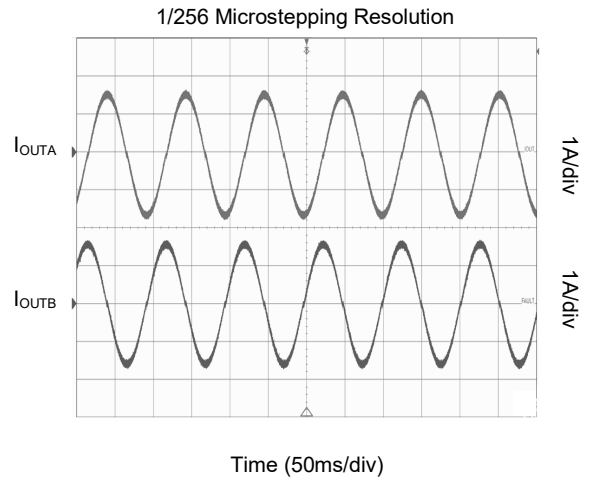
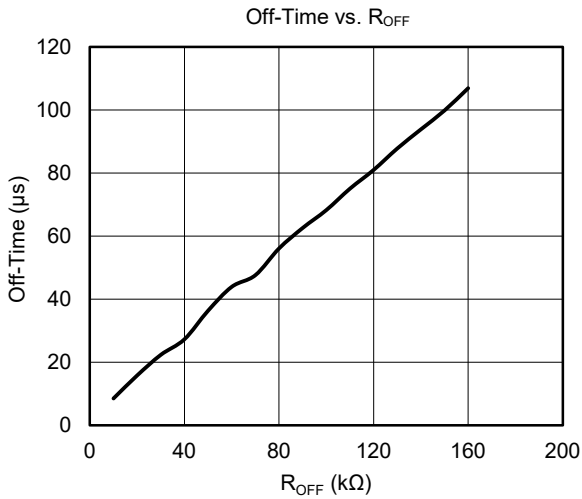
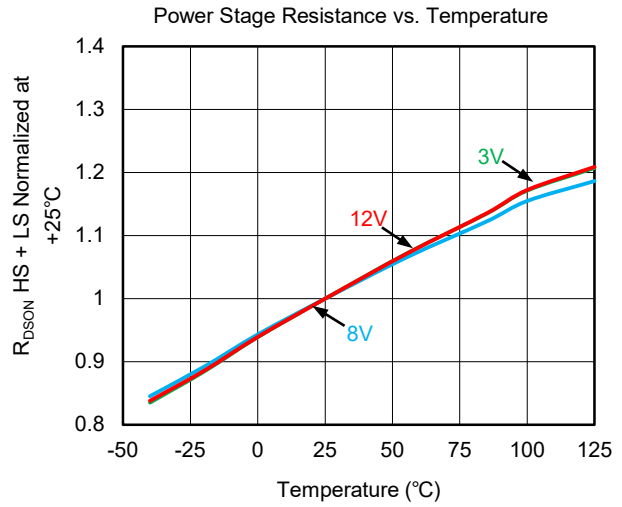
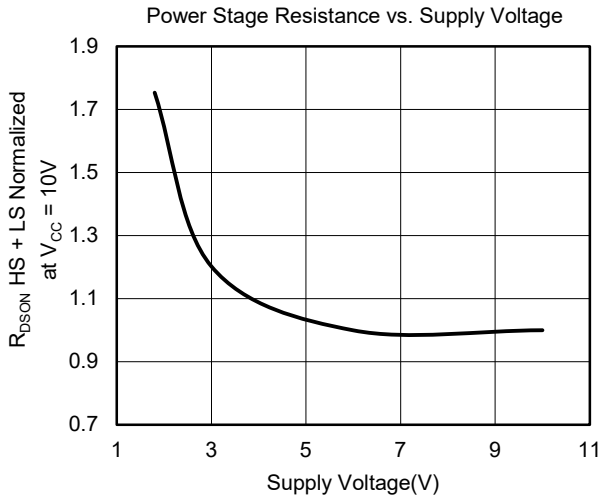


Figure 2. Direction (DIR) and Step Clock (STCK) Timing Diagram

TYPICAL PERFORMANCE CHARACTERISTICS



FUNCTIONAL BLOCK DIAGRAM

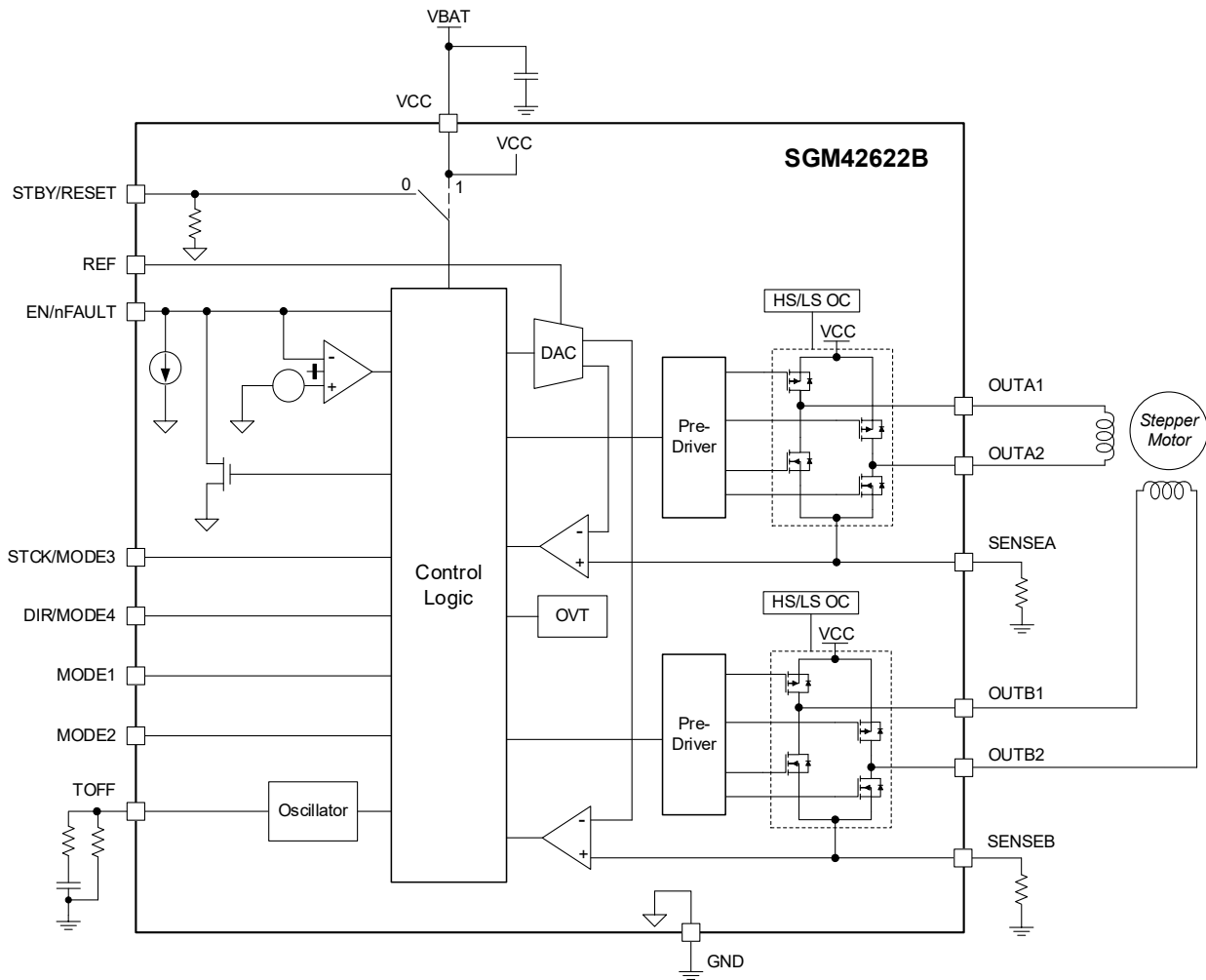


Figure 3. Block Diagram

FUNCTIONAL DESCRIPTION

The SGM42622B is a low voltage stepper motor driver that includes a 10-bit sequencer with 1/256 microstepping capability, two PWM current controllers and two protected full-bridges in power stage.

Standby and Power-Up

This device can be placed in standby mode to reduce the power consumption to near zero by pulling the STBY/RESET input pin below the  $V_{STBYL}$  threshold.

In standby mode, the supply current of the controller is significantly reduced and the power stage is shutdown with outputs in a high-impedance state.

Once the SGM42622B exits the standby mode, the controller restarts like a power-up situation.

Microstepping Sequencer

The 4-bit binary value on the MODEx inputs is latched just after power-up or when the device exits standby mode. In normal operation, the input value is ignored and the MODE3 and MODE4 inputs act as step clock (STCK) and direction (DIR) inputs. The only exception is when MODE1 and MODE2 are both at low state. In such condition, the latched value is ignored and the device operates in full-step mode. If either MODE1 or MODE2 input returns to high state, the previous operating mode will be restored.

Table 1. Step Mode Selection

MODE3 (STCK)	MODE4 (DIR)	MODE1	MODE2	Step Mode
0	0	0	0	full-step <sup>(1)</sup>
0	0	0	1	1/32 step
0	0	1	0	1/128 step
0	0	1	1	1/256 step
0	1	0	0	full-step - 1/32 step <sup>(1)</sup>
0	1	0	1	1/4 step
0	1	1	0	1/256 step
0	1	1	1	1/64 step
1	0	0	0	full-step - 1/128 step <sup>(1)</sup>
1	0	0	1	1/256 step
1	0	1	0	1/2 step
1	0	1	1	1/8 step
1	1	0	0	full-step - 1/256 step <sup>(1)</sup>
1	1	0	1	1/64 step
1	1	1	0	1/8 step
1	1	1	1	1/16 step

NOTE: 1. If MODE1 = MODE2 = 0 occurs, the latched value is ignored temporarily, and stepping will be in full-step mode.

Figure 4 shows how the step mode is selected for the SGM42622B with some examples.

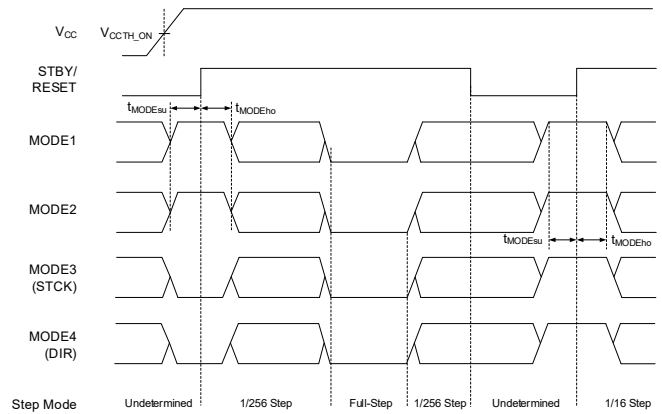


Figure 4. Mode Selection Examples

The sequencer is a 10-bit counter used to set the PWM current controller’s reference and H-bridge current direction. The counter resets to zero after power-up or standby and is counted with each rising edge of STCK. It is increased if DIR = high or decreased if DIR = low.

The current direction and references that determine the output currents of the device as listed in Table 2 for full-step mode.  $V_{REF}$  is the reference input (0.1V to 0.5V recommended) to adjust the output current magnitudes. The values for other step modes are listed in Table 2.

Table 3 lists the reference and sequencer values for 1/2, 1/4 and 1/8 step modes. For higher microstepping resolutions, the same pattern is extended. Positive numbers show that the output current flows from OUTx1 to OUTx2, and negative numbers show opposite direction.

In all step modes, the home state (reset) is loaded in sequencer at power-up or after exiting the standby mode.



FUNCTIONAL DESCRIPTION (continued)

Table 2. Current Reference and Direction of the Outputs (Determined by the Sequencer Value)

Sequencer Value										Phase A		Phase B	
										Reference Voltage	Current Direction	Reference Voltage	Current Direction
<b>Full-Step Modes</b>													
0	0	X	X	X	X	X	X	X	X	$100\% \times V_{REF}$	A1 → A2	$100\% \times V_{REF}$	B1 → B2
0	1	X	X	X	X	X	X	X	X	$100\% \times V_{REF}$	A1 → A2	$100\% \times V_{REF}$	B1 ← B2
1	0	X	X	X	X	X	X	X	X	$100\% \times V_{REF}$	A1 ← A2	$100\% \times V_{REF}$	B1 ← B2
1	1	X	X	X	X	X	X	X	X	$100\% \times V_{REF}$	A1 ← A2	$100\% \times V_{REF}$	B1 → B2
<b>Non-Full-Step Modes</b>													
0	0	0	0	0	0	0	0	0	0	Zero (bridge disabled)	-	$100\% \times V_{REF}$	B1 → B2
0	0	n								$\text{Sin}(n/256 \times \pi/2) \times V_{REF}$	A1 → A2	$\text{Cos}(n/256 \times \pi/2) \times V_{REF}$	B1 → B2
0	1	0	0	0	0	0	0	0	0	$100\% \times V_{REF}$	A1 → A2	Zero (bridge disabled)	-
0	1	n								$\text{Sin}(\pi/2 + n/256 \times \pi/2) \times V_{REF}$	A1 → A2	$\text{Cos}(\pi/2 + n/256 \times \pi/2) \times V_{REF}$	B1 ← B2
1	0	0	0	0	0	0	0	0	0	Zero (bridge disabled)	-	$100\% \times V_{REF}$	B1 ← B2
1	0	n								$\text{Sin}(n/256 \times \pi/2) \times V_{REF}$	A1 ← A2	$\text{Cos}(n/256 \times \pi/2) \times V_{REF}$	B1 ← B2
1	1	0	0	0	0	0	0	0	0	$100\% \times V_{REF}$	A1 ← A2	Zero (bridge disabled)	-
1	1	n								$\text{Sin}(\pi/2 + n/256 \times \pi/2) \times V_{REF}$	A1 ← A2	$\text{Cos}(\pi/2 + n/256 \times \pi/2) \times V_{REF}$	B1 → B2

Table 3. Reference and Sequencer Values for 1/2, 1/4 and 1/8 Step Modes

1/2 Step	1/4 Step	1/8 Step	V <sub>REF</sub> Phase A	V <sub>REF</sub> Phase B	Sequencer Value	1/2 Step	1/4 Step	1/8 Step	V <sub>REF</sub> Phase A	V <sub>REF</sub> Phase B	Sequencer Value
1	1	1	0%	100%	0000000000 home state	5	9	17	0%	100%	1000000000
		2	19.509%	98.079%	0000100000			18	-19.509%	-98.079%	1000100000
	2	3	38.268%	92.388%	0001000000		10	19	-38.268%	-92.388%	1001000000
		4	55.557%	83.147%	0001100000			20	-55.557%	-83.147%	1001100000
2	3	5	70.711%	70.711%	0010000000	6	11	21	-70.711%	-70.711%	1010000000
		6	83.147%	55.557%	0010100000			22	-83.147%	-55.557%	1010100000
	4	7	92.388%	19.509%	0011100000		12	23	-92.388%	-38.268%	1011000000
		8	98.079%	19.509%	0011100000			24	-98.079%	-19.509%	1011100000
3	5	9	100%	0%	0100000000	7	13	25	-100%	0%	1100000000
		10	98.079%	-19.509%	0100100000			26	-98.079%	19.509%	1100100000
	6	11	92.388%	-38.268%	0101000000		14	27	-92.388%	38.268%	1101000000
		12	83.147%	-55.557%	0101100000			28	-83.147%	55.557%	1101100000
4	7	13	70.711%	-70.711%	0110000000	8	15	29	-70.711%	70.711%	1110000000
		14	55.557%	-83.147%	0110100000			30	-55.557%	83.147%	1110100000
	8	15	38.268%	-92.388%	0111000000		16	31	-38.268%	92.388%	1111000000
		16	19.509%	-98.079%	1000100000			32	-19.509%	98.079%	1111100000

FUNCTIONAL DESCRIPTION (continued)

PWM Current Control

Figure 5 shows bridge current flow and PWM timing control. Each bridge has its own independent PWM current controller. The bridge current flows from its negative pole to ground through a sense pin and a sense resistor. The sense pin voltage ( $V_{SENSEA}$  or  $V_{SENSEB}$ ) is proportional to the phase current and compared to the reference that is set based on the sequencer value and  $V_{REF}$  (Table 2). As soon as  $V_{SENSEX}$  exceeds the  $V_{REFX}$  value, a comparator triggers the off-time and the decay sequence.

In off-time, the current first decays with a slow rate and then with a fast rate. In the slow decay portion, both low-side switches of the full-bridge are turned on, and output voltage is near zero. When 5/8 of the  $t_{OFF\_SLOW}$  has expired, the polarity of the output voltage is reversed by current recirculating to start the fast decay.

Reverse voltage is generated by circulating the current through the high-side switch.

The reference voltage ( $V_{REF}$ ) must be chosen based on the load peak current and the sense resistance:

$$V_{REF} = R_{SENSEX} \times I_{LOAD, PEAK} \quad (1)$$

The  $R_{SENSEX}$  must be small enough to avoid excessive power loss in the resistor and prevent large negative voltage peaks on the SENSEx pin caused by current recirculation. A few resistances can be paralleled to achieve the required power rating and resistance value. Note that if the selected  $R_{SENSEX}$  is too small, the accuracy and performance of the device will be degraded due to the low measurement sensitivity and influence of the noise and comparator offsets.

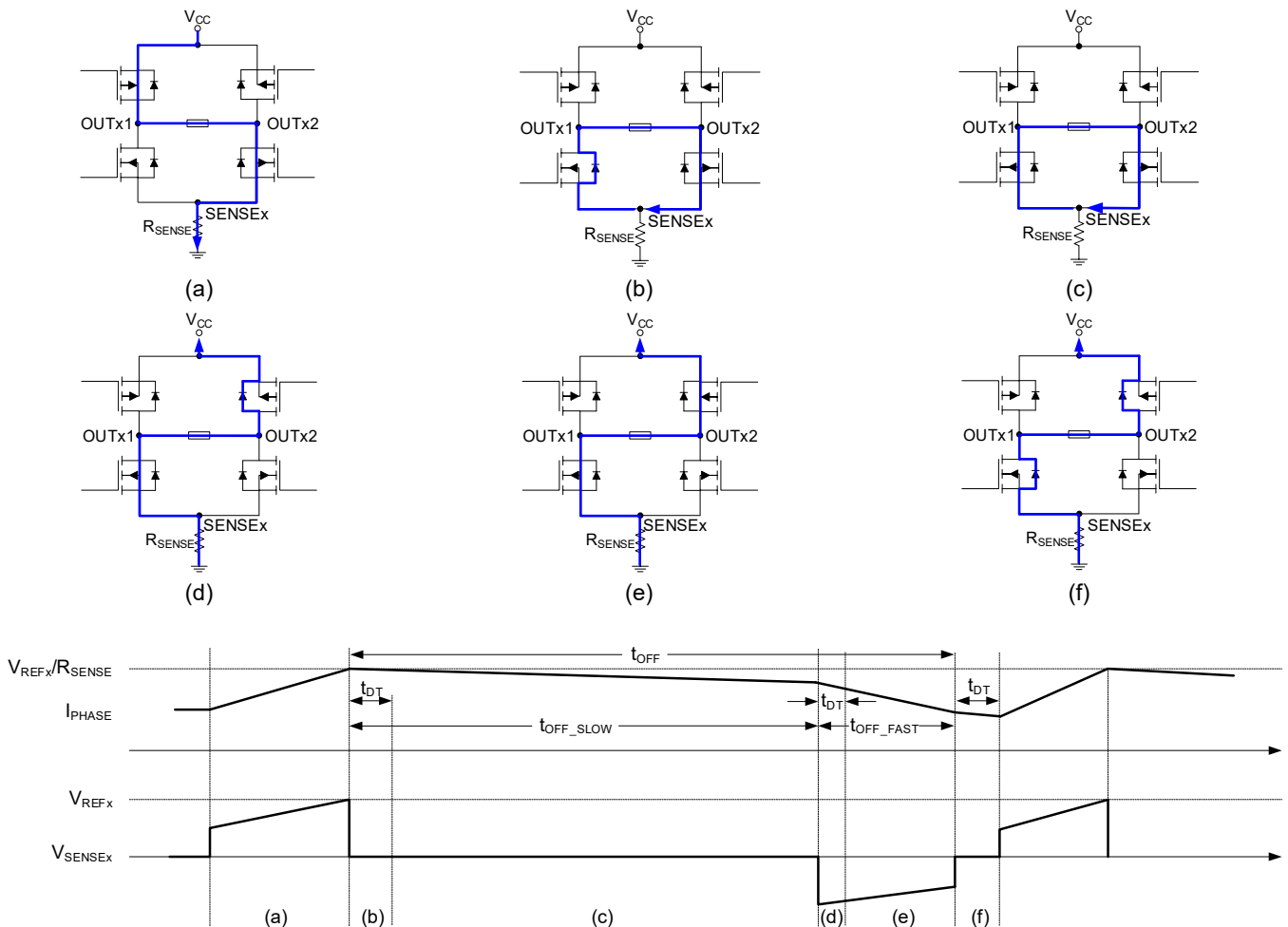


Figure 5. PWM Current Control Sequence

FUNCTIONAL DESCRIPTION (continued)

Setting PWM Off-Time

The total off-time (slow decay + fast decay) of the PWM is programmed by an external resistor ( $R_{OFF}$ ) between the TOFF pin and ground, as shown in Figure 6. For stable regulation, a small series RC branch must be placed parallel to the  $R_{OFF}$  (see Table 4).

The relationship between the off-time and the external resistor value is shown in Off-Time vs.  $R_{OFF}$  curve. The value typically ranges from 10 $\mu$ s to 120 $\mu$ s.

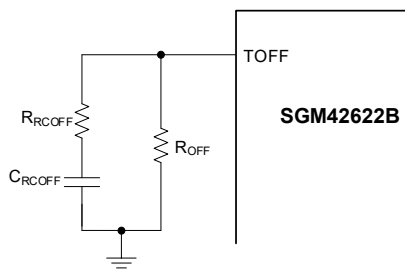


Figure 6. Programming PWM Off-Time

Table 4. Recommended  $R_{RCOFF}$  and  $C_{RCOFF}$

$R_{OFF}$	$R_{RCOFF}$	$C_{RCOFF}$
$10k\Omega \leq R_{OFF} < 82k\Omega$	1k $\Omega$	22nF
$82k\Omega \leq R_{OFF} \leq 160k\Omega$	2.2k $\Omega$	22nF

Over-Current Protection (OCP)

If the current through any FET exceeds the preset over-current threshold, all FETs in the H-bridge will be disabled for a period of approximately 16ms, and the EN/nFAULT pin will be pulled low. After the period, the chip resumes operation and EN/nFAULT pin is released. Over-current conditions are sensed in both directions: that is, a short to ground, supply, or across the motor winding will all result in an over-current shutdown.

Note that over-current protection does not use the current sensing circuitry used for PWM current control and is independent of the  $I_{SENSE}$  resistor value or  $V_{REF}$  voltage.

Thermal Shutdown

If the die temperature ( $T_J$ ) exceeds the maximum safe temperature threshold, a thermal shutdown event occurs. With a thermal shutdown the EN/nFAULT pin is pulled low by the internal open-drain MOSFET that disables the power stage as shown in Figure 7.

The EN/nFAULT is released when  $T_J$  returns back to the safe range ( $T_J < T_{TSD} - T_{HYS}$ ).

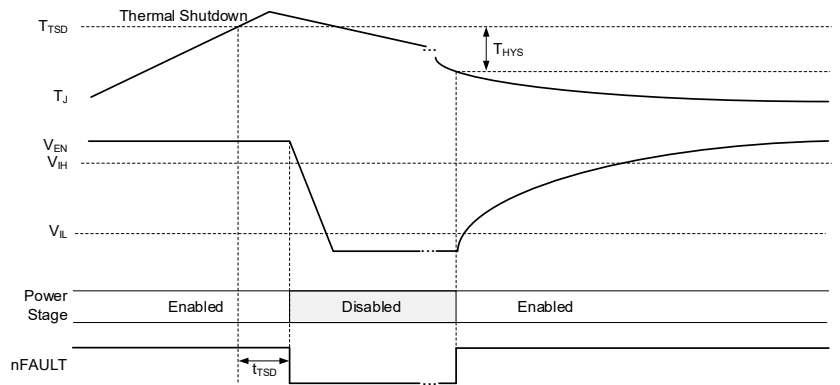
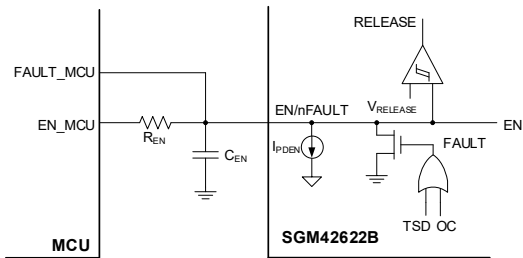


Figure 7. Thermal Shutdown in SGM42622B

**REVISION HISTORY**

NOTE: Page numbers for previous revisions may differ from page numbers in the current version.

<b>NOVEMBER 2022 – REV.A to REV.A.1</b>	<b>Page</b>
Updated Functional Block Diagram section.....	6

---

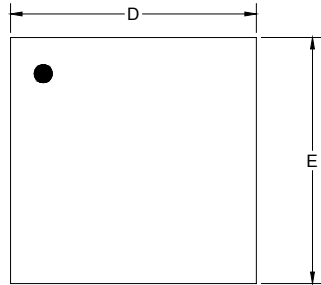
<b>Changes from Original (DECEMBER 2020) to REV.A</b>	<b>Page</b>
Changed from product preview to production data.....	All

---

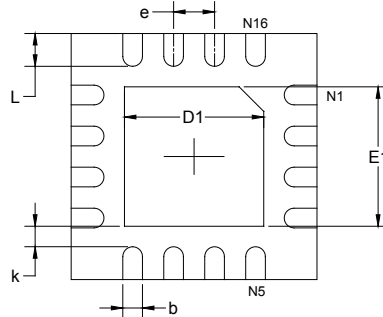
# PACKAGE INFORMATION

## PACKAGE OUTLINE DIMENSIONS

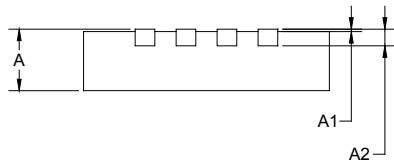
### TQFN-3×3-16L



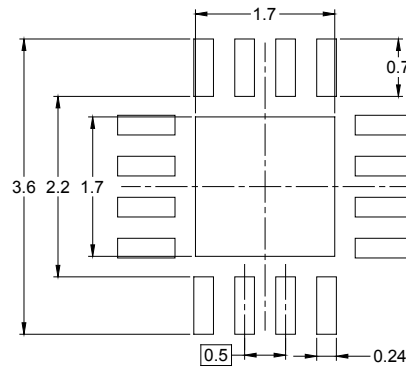
TOP VIEW



BOTTOM VIEW



SIDE VIEW



RECOMMENDED LAND PATTERN (Unit: mm)

Symbol	Dimensions In Millimeters		Dimensions In Inches	
	MIN	MAX	MIN	MAX
A	0.700	0.800	0.028	0.031
A1	0.000	0.050	0.000	0.002
A2	0.203 REF		0.008 REF	
D	2.900	3.100	0.114	0.122
D1	1.600	1.800	0.063	0.071
E	2.900	3.100	0.114	0.122
E1	1.600	1.800	0.063	0.071
k	0.200 MIN		0.008 MIN	
b	0.180	0.300	0.007	0.012
e	0.500 TYP		0.020 TYP	
L	0.300	0.500	0.012	0.020

# PACKAGE INFORMATION

## TAPE AND REEL INFORMATION

### REEL DIMENSIONS



### TAPE DIMENSIONS



NOTE: The picture is only for reference. Please make the object as the standard.

### KEY PARAMETER LIST OF TAPE AND REEL

Package Type	Reel Diameter	Reel Width W1 (mm)	A0 (mm)	B0 (mm)	K0 (mm)	P0 (mm)	P1 (mm)	P2 (mm)	W (mm)	Pin1 Quadrant
TQFN-3×3-16L	13"	12.4	3.35	3.35	1.13	4.0	8.0	2.0	12.0	Q2

000001

# PACKAGE INFORMATION

## CARTON BOX DIMENSIONS



NOTE: The picture is only for reference. Please make the object as the standard.

## KEY PARAMETER LIST OF CARTON BOX

Reel Type	Length (mm)	Width (mm)	Height (mm)	Pizza/Carton
13"	386	280	370	5

DD0002