

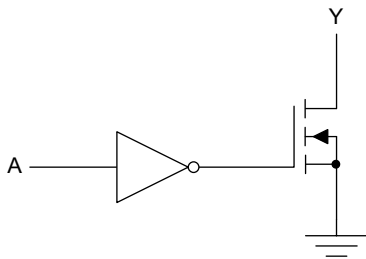
GENERAL DESCRIPTION

The 74LVC1G07 is a single buffer/driver with open-drain output. The device is specified to operate over the 1.65V to 5.5V V_{CC} operating range. The open-drain output of the device can be connected to other open-drain outputs to achieve active-low wired-OR or active-high wired-AND functions. The maximum sink current is 32mA.

This device is highly suitable for partial power-down applications by using power-off leakage current (I_{OFF}) circuit. When the device is powered down, the output is disabled, and the current backflow can be prevented from passing through the device.

The 74LVC1G07 is available in Green SC70-5, SOT-23-5 and UTDFN-1.45×1-6AL packages. It operates over an ambient temperature range of -40°C to +125°C.

LOGIC DIAGRAM



FEATURES

- **Wide Operating Voltage Range: 1.65V to 5.5V**
- **Input Accepts Voltages up to 5.5V**
- **24mA Output Current at $V_{CC} = 3.0V$**
- **Low Power Dissipation: $I_{CC} = 2\mu A$ (MAX)**
- **Propagation Delay: $t_{PD} = 4ns$ (TYP) at $V_{CC} = 3.3V$**
- **Able to Translate Up or Down**
- **Support Partial Power-Down Mode**
- **-40°C to +125°C Operating Temperature Range**
- **Available in Green SC70-5, SOT-23-5 and UTDFN-1.45×1-6AL Packages**

APPLICATIONS

- Audio Equipment
- LCD TV
- Panel
- Computing: Server, PC, Pad, Notebook, SSD
- Smartphone
- Telecom Equipment

FUNCTION TABLE

INPUT	OUTPUT
A	Y
H	Z
L	L

- H = High Voltage Level
- L = Low Voltage Level
- Z = High-Impedance State

PACKAGE/ORDERING INFORMATION

MODEL	PACKAGE DESCRIPTION	SPECIFIED TEMPERATURE RANGE	ORDERING NUMBER	PACKAGE MARKING	PACKING OPTION
74LVC1G07	SC70-5	-40°C to +125°C	74LVC1G07XC5G/TR	0A1XX	Tape and Reel, 3000
	SOT-23-5	-40°C to +125°C	74LVC1G07XN5G/TR	0A5XX	Tape and Reel, 3000
	UTDFN-1.45×1-6AL	-40°C to +125°C	74LVC1G07XUDL6G/TR	0QX	Tape and Reel, 5000

MARKING INFORMATION

NOTE: XX = Date Code. X = Date Code.

SC70-5/SOT-23-5

YYY X X

Date Code - Week
Date Code - Year
Serial Number

UTDFN-1.45×1-6AL

YY X

Date Code - Quarter
Serial Number

Green (RoHS & HSF): SG Micro Corp defines "Green" to mean Pb-Free (RoHS compatible) and free of halogen substances. If you have additional comments or questions, please contact your SGMICRO representative directly.

ABSOLUTE MAXIMUM RATINGS ⁽¹⁾

Supply Voltage Range, V_{CC}	-0.5V to 6.5V
Input Voltage Range, V_I ⁽²⁾	-0.5V to 6.5V
Output Voltage Range, V_O ⁽²⁾	
Active Mode or Power-Off State	-0.5V to 6.5V
Input Clamp Current, I_{IK} ($V_I < 0V$)	-50mA
Output Clamp Current, I_{OK} ($V_O < 0V$)	-50mA
Continuous Output Current, I_O	±50mA
Continuous Current through V_{CC} or GND	±100mA
Junction Temperature ⁽³⁾	+150°C
Storage Temperature Range	-65°C to +150°C
Lead Temperature (Soldering, 10s)	+260°C
ESD Susceptibility	
HBM	5000V
CDM	1000V

RECOMMENDED OPERATING CONDITIONS

Supply Voltage Range, V_{CC}	1.65V to 5.5V
Input Voltage Range, V_I	0V to 5.5V
Output Voltage Range, V_O	
Active Mode or Power-Off State	0V to 5.5V
Input Transition Rise or Fall Rate, $\Delta t/\Delta V$	
$V_{CC} = 1.8V \pm 0.15V$	20ns/V (MAX)
$V_{CC} = 2.5V \pm 0.2V$	20ns/V (MAX)
$V_{CC} = 3.3V \pm 0.3V$	10ns/V (MAX)
$V_{CC} = 5.0V \pm 0.5V$	5ns/V (MAX)
Operating Temperature Range	-40°C to +125°C

OVERSTRESS CAUTION

- Stresses beyond those listed in Absolute Maximum Ratings may cause permanent damage to the device. Exposure to absolute maximum rating conditions for extended periods may affect reliability. Functional operation of the device at any conditions beyond those indicated in the Recommended Operating Conditions section is not implied.
- The input and output voltage ratings may be exceeded if the input and output clamp current ratings are observed.
- The performance capability of a high-performance integrated circuit in conjunction with its thermal environment can create junction temperatures which are detrimental to reliability.

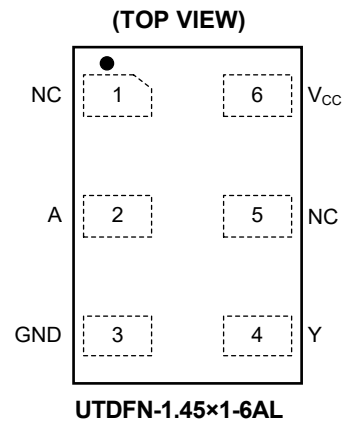
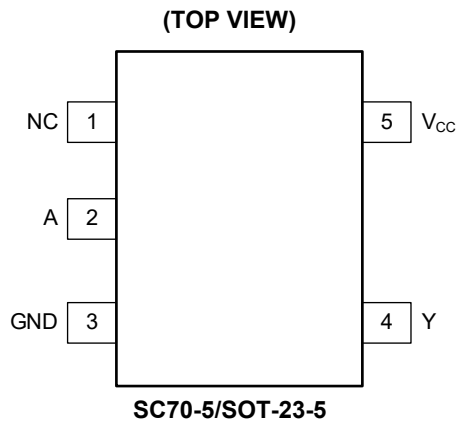
ESD SENSITIVITY CAUTION

This integrated circuit can be damaged if ESD protections are not considered carefully. SGMICRO recommends that all integrated circuits be handled with appropriate precautions. Failure to observe proper handling and installation procedures can cause damage. ESD damage can range from subtle performance degradation to complete device failure. Precision integrated circuits may be more susceptible to damage because even small parametric changes could cause the device not to meet the published specifications.

DISCLAIMER

SG Micro Corp reserves the right to make any change in circuit design, or specifications without prior notice.

PIN CONFIGURATIONS



PIN DESCRIPTION

PIN		NAME	FUNCTION
SC70-5/SOT-23-5	UTDFN-1.45x1-6AL		
1	1, 5	NC	No Connection.
2	2	A	Data Input.
3	3	GND	Ground.
4	4	Y	Data Output.
5	6	V _{CC}	Supply Voltage.

ELECTRICAL CHARACTERISTICS(Full = -40°C to +125°C, all typical values are measured at $T_A = +25^\circ\text{C}$, unless otherwise noted.)

PARAMETER	SYMBOL	CONDITIONS	TEMP	MIN	TYP	MAX	UNITS
High-Level Input Voltage	V_{IH}	$V_{CC} = 1.65\text{V to }1.95\text{V}$	Full	$0.67 \times V_{CC}$			V
		$V_{CC} = 2.3\text{V to }2.7\text{V}$	Full	1.7			
		$V_{CC} = 2.7\text{V to }3.6\text{V}$	Full	2.0			
		$V_{CC} = 4.5\text{V to }5.5\text{V}$	Full	$0.70 \times V_{CC}$			
Low-Level Input Voltage	V_{IL}	$V_{CC} = 1.65\text{V to }1.95\text{V}$	Full			$0.35 \times V_{CC}$	V
		$V_{CC} = 2.3\text{V to }2.7\text{V}$	Full			0.7	
		$V_{CC} = 2.7\text{V to }3.6\text{V}$	Full			0.8	
		$V_{CC} = 4.5\text{V to }5.5\text{V}$	Full			$0.30 \times V_{CC}$	
Low-Level Output Voltage	V_{OL}	$V_{CC} = 1.65\text{V to }5.5\text{V}, I_{OL} = 100\mu\text{A}$	Full		0.01	0.10	V
		$V_{CC} = 1.65\text{V}, I_{OL} = 4\text{mA}$	Full		0.10	0.30	
		$V_{CC} = 2.3\text{V}, I_{OL} = 8\text{mA}$	Full		0.15	0.30	
		$V_{CC} = 2.7\text{V}, I_{OL} = 12\text{mA}$	Full		0.20	0.40	
		$V_{CC} = 3.0\text{V}, I_{OL} = 16\text{mA}$	Full		0.20	0.40	
		$V_{CC} = 3.0\text{V}, I_{OL} = 24\text{mA}$	Full		0.30	0.55	
		$V_{CC} = 4.5\text{V}, I_{OL} = 32\text{mA}$	Full		0.35	0.55	
Input Leakage Current	I_I	A input, $V_{CC} = 0\text{V to }5.5\text{V}, V_I = 5.5\text{V or GND}$	Full		± 0.1	± 2	μA
Off-State Output Current	I_{OZ}	$V_{CC} = 5.5\text{V}, V_I = V_{IH} \text{ or } V_{IL}, V_O = V_{CC} \text{ or GND}$	Full		± 0.1	± 2	μA
Power-Off Leakage Current	I_{OFF}	$V_{CC} = 0\text{V}, V_I \text{ or } V_O = 5.5\text{V}$	Full		± 0.1	± 2	μA
Supply Current	I_{CC}	$V_{CC} = 1.65\text{V to }5.5\text{V}, V_I = 5.5\text{V or GND}, I_O = 0\text{A}$	Full		0.1	2	μA
Additional Supply Current	ΔI_{CC}	One input at $V_I = V_{CC} - 0.6\text{V}$, other inputs at V_{CC} or GND, $V_{CC} = 3.0\text{V to }5.5\text{V}$	Full		0.1	5	μA
Input Capacitance	C_I	$V_{CC} = 3.3\text{V}, V_I = V_{CC} \text{ or GND}$	+25°C		3.5		pF
Output Capacitance	C_O	$V_{CC} = 3.3\text{V}, V_O = V_{CC} \text{ or GND}$	+25°C		6		pF

DYNAMIC CHARACTERISTICS

(See Figure 1 for test circuit. Full = -40°C to +125°C, all typical values are measured at T_A = +25°C and V_{CC} = 1.8V, 2.5V, 3.3V and 5.0V respectively, unless otherwise noted.)

PARAMETER	SYMBOL	CONDITIONS	TEMP	MIN ⁽¹⁾	TYP	MAX ⁽¹⁾	UNITS	
Propagation Delay ⁽²⁾	t _{PD}	A to Y, see Figure 2	V _{CC} = 1.8V ± 0.15V	Full	1	7.5	13	ns
			V _{CC} = 2.5V ± 0.2V	Full	0.5	5	7	
			V _{CC} = 3.3V ± 0.3V	Full	0.5	4	6.5	
			V _{CC} = 5.0V ± 0.5V	Full	0.5	4	6	
Power Dissipation Capacitance ⁽³⁾	C _{PD}	f = 10MHz	V _{CC} = 1.8V	+25°C		4		pF
			V _{CC} = 2.5V	+25°C		4		
			V _{CC} = 3.3V	+25°C		4.5		
			V _{CC} = 5.0V	+25°C		6		

NOTES:

- Specified by design and characterization, not production tested.
- t_{PD} is the same as t_{PZL} and t_{PLZ}.
- C_{PD} is used to determine the dynamic power dissipation (P_D in μW).

$$P_D = C_{PD} \times V_{CC}^2 \times f_i \times N + \Sigma(C_L \times V_{CC}^2 \times f_o)$$

where:

f_i = Input frequency in MHz.

f_o = Output frequency in MHz.

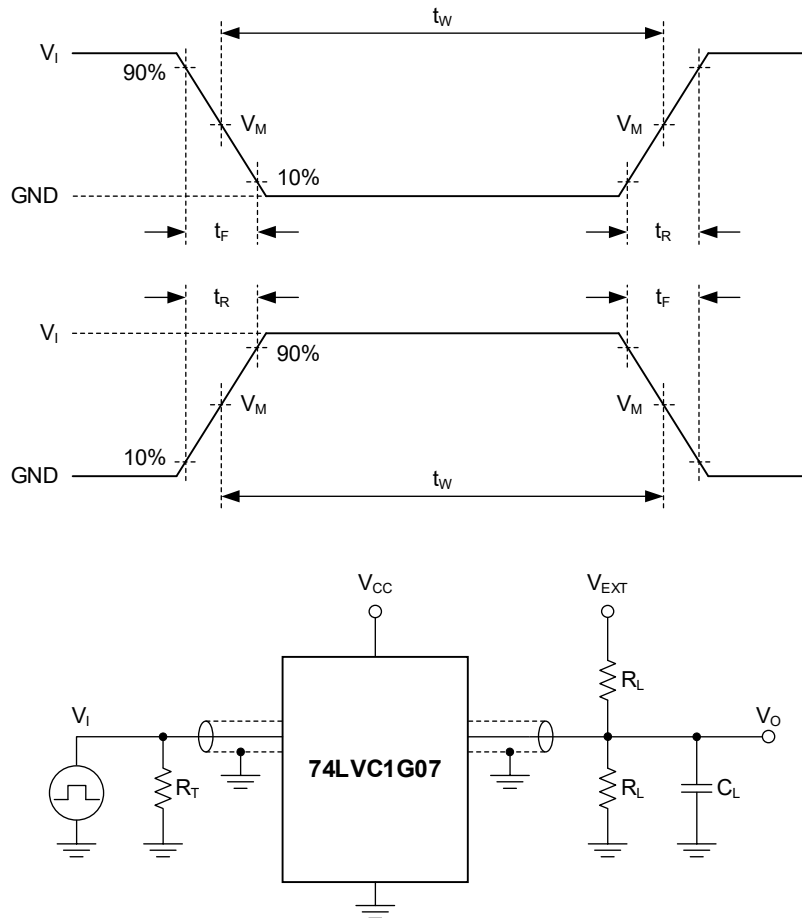
C_L = Output load capacitance in pF.

V_{CC} = Supply voltage in Volts.

N = Number of inputs switching.

Σ(C_L × V_{CC}² × f_o) = Sum of the outputs.

TEST CIRCUIT



Test conditions are given in Table 1.

Definitions for test circuit:

R_L : Load resistance.

C_L : Load capacitance (includes jig and probe).

R_T : Termination resistance (equals to output impedance Z_O of the pulse generator).

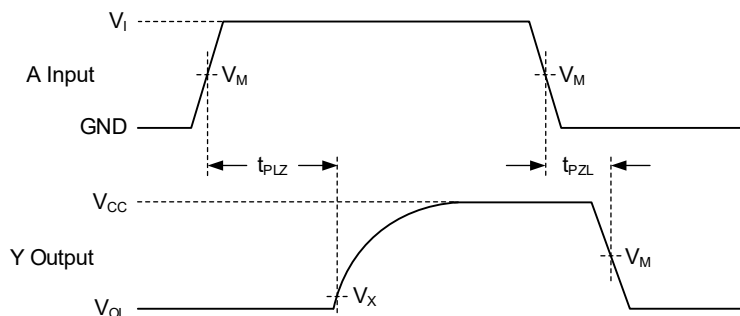
V_{EXT} : External voltage is used to measure switching time.

Figure 1. Test Circuit for Measuring Switching Times

Table 1. Test Conditions

SUPPLY VOLTAGE	INPUT		LOAD		V_{EXT}
V_{CC}	V_I	t_R, t_F	C_L	R_L	t_{PZL}, t_{PLZ}
$1.8V \pm 0.15V$	V_{CC}	$\leq 2.0ns$	30pF	1k Ω	$2 \times V_{CC}$
$2.5V \pm 0.2V$	V_{CC}	$\leq 2.0ns$	30pF	500 Ω	$2 \times V_{CC}$
$3.3V \pm 0.3V$	3V	$\leq 2.5ns$	50pF	500 Ω	6V
$5.0V \pm 0.5V$	V_{CC}	$\leq 2.5ns$	50pF	500 Ω	$2 \times V_{CC}$

WAVEFORMS



Test conditions are given in Table 1.

Measurement points are given in Table 2.

Logic levels: V_{OL} and V_{OH} are typical output voltage levels that occur with the output load.

Figure 2. Input A to Output Y Propagation Delay Times

Table 2. Measurement Points

SUPPLY VOLTAGE	INPUT		OUTPUT		
	V_{CC}	V_I	$V_M^{(1)}$	V_M	V_X
$1.8V \pm 0.15V$	V_{CC}	V_{CC}	$0.5 \times V_{CC}$	$0.5 \times V_{CC}$	$V_{OL} + 0.15V$
$2.5V \pm 0.2V$	V_{CC}	V_{CC}	$0.5 \times V_{CC}$	$0.5 \times V_{CC}$	$V_{OL} + 0.15V$
$3.3V \pm 0.3V$	$3V$	$3V$	$1.5V$	$1.5V$	$V_{OL} + 0.3V$
$5.0V \pm 0.5V$	V_{CC}	V_{CC}	$0.5 \times V_{CC}$	$0.5 \times V_{CC}$	$V_{OL} + 0.3V$

NOTE:

1. The measurement points should be V_{IH} or V_{IL} when the input rising or falling time exceeds 2.5ns.

REVISION HISTORY

NOTE: Page numbers for previous revisions may differ from page numbers in the current version.

MARCH 2024 – REV.A to REV.A.1

Page

Updated HBM value in Absolute Maximum Ratings section.....	2
Added UTFDN-1.45×1-6AL package.....	All

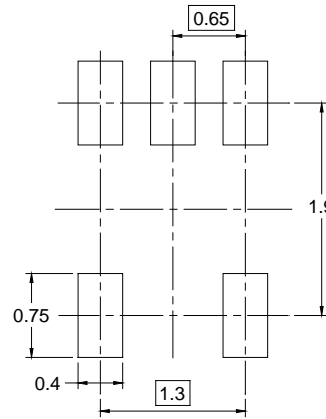
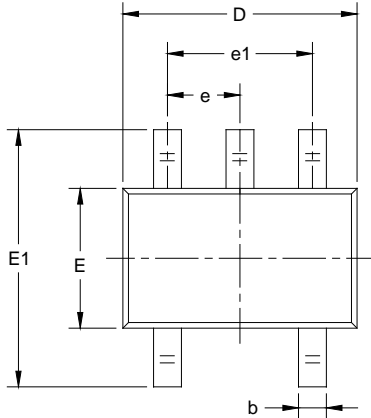
Changes from Original (JANUARY 2024) to REV.A

Page

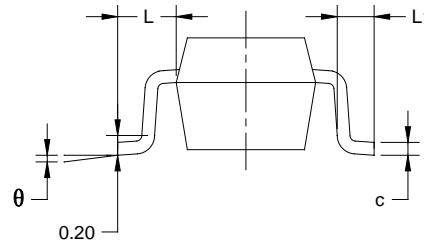
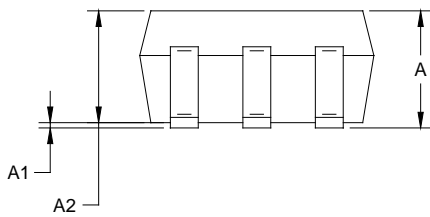
Changed from product preview to production data.....	All
--	-----

PACKAGE OUTLINE DIMENSIONS

SC70-5



RECOMMENDED LAND PATTERN (Unit: mm)



Symbol	Dimensions In Millimeters		Dimensions In Inches	
	MIN	MAX	MIN	MAX
A	0.800	1.100	0.031	0.043
A1	0.000	0.100	0.000	0.004
A2	0.800	1.000	0.031	0.039
b	0.150	0.350	0.006	0.014
c	0.080	0.220	0.003	0.009
D	2.000	2.200	0.079	0.087
E	1.150	1.350	0.045	0.053
E1	2.150	2.450	0.085	0.096
e	0.65 TYP		0.026 TYP	
e1	1.300 BSC		0.051 BSC	
L	0.525 REF		0.021 REF	
L1	0.260	0.460	0.010	0.018
θ	0°	8°	0°	8°

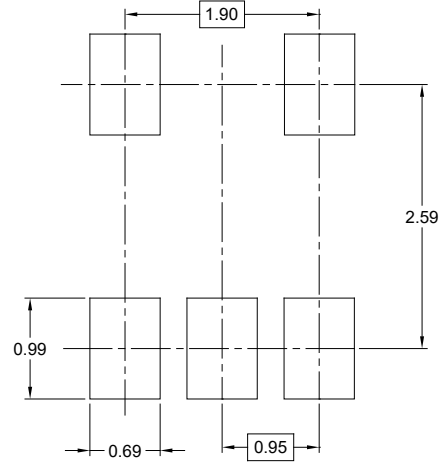
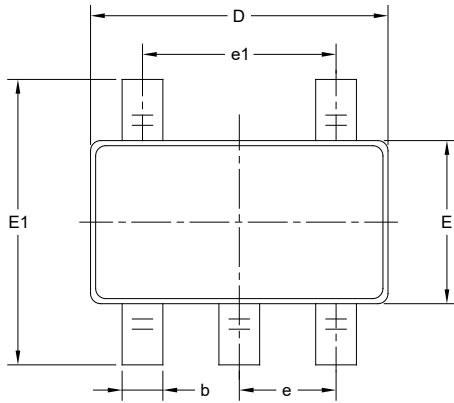
NOTES:

1. Body dimensions do not include mode flash or protrusion.
2. This drawing is subject to change without notice.

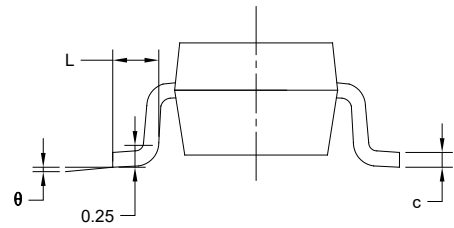
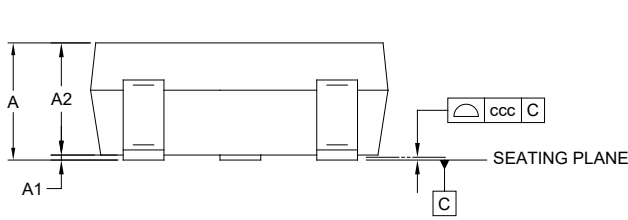
PACKAGE INFORMATION

PACKAGE OUTLINE DIMENSIONS

SOT-23-5



RECOMMENDED LAND PATTERN (Unit: mm)



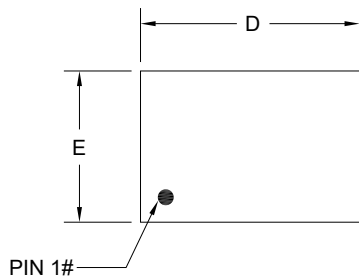
Symbol	Dimensions In Millimeters		
	MIN	MOD	MAX
A	-	-	1.450
A1	0.000	-	0.150
A2	0.900	-	1.300
b	0.300	-	0.500
c	0.080	-	0.220
D	2.750	-	3.050
E	1.450	-	1.750
E1	2.600	-	3.000
e	0.950 BSC		
e1	1.900 BSC		
L	0.300	-	0.600
θ	0°	-	8°
ccc	0.100		

NOTES:

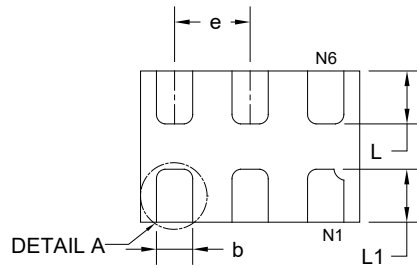
1. This drawing is subject to change without notice.
2. The dimensions do not include mold flashes, protrusions or gate burrs.
3. Reference JEDEC MO-178.

PACKAGE OUTLINE DIMENSIONS

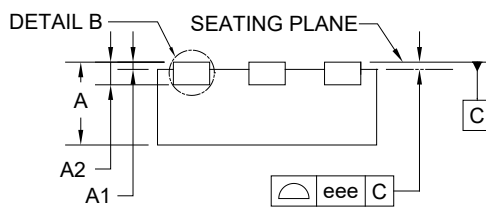
UTDFN-1.45×1-6AL



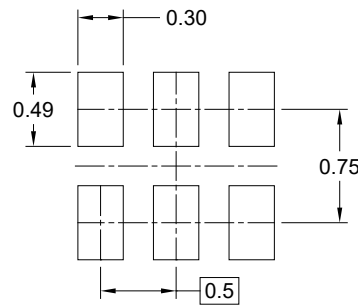
TOP VIEW



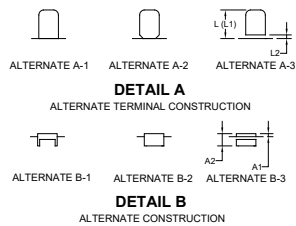
BOTTOM VIEW



SIDE VIEW



RECOMMENDED LAND PATTERN (Unit: mm)



Symbol	Dimensions In Millimeters		
	MIN	MOD	MAX
A	0.450	-	0.600
A1	-0.004	-	0.050
A2	0.150 REF		
b	0.150	-	0.300
D	1.374	-	1.526
E	0.924	-	1.076
e	0.500 BSC		
L	0.250	-	0.450
L1	0.250	-	0.500
L2	0.000	-	0.100
eee	0.050		

NOTE: This drawing is subject to change without notice.

PACKAGE INFORMATION

TAPE AND REEL INFORMATION

REEL DIMENSIONS



TAPE DIMENSIONS



NOTE: The picture is only for reference. Please make the object as the standard.

KEY PARAMETER LIST OF TAPE AND REEL

Package Type	Reel Diameter	Reel Width W1 (mm)	A0 (mm)	B0 (mm)	K0 (mm)	P0 (mm)	P1 (mm)	P2 (mm)	W (mm)	Pin1 Quadrant
SC70-5	7"	9.5	2.40	2.50	1.20	4.0	4.0	2.0	8.0	Q3
SOT-23-5	7"	9.5	3.20	3.20	1.40	4.0	4.0	2.0	8.0	Q3
UTDFN-1.45×1-6AL	7"	9.5	1.15	1.60	0.75	4.0	4.0	2.0	8.0	Q1

DD0001

PACKAGE INFORMATION

CARTON BOX DIMENSIONS



NOTE: The picture is only for reference. Please make the object as the standard.

KEY PARAMETER LIST OF CARTON BOX

Reel Type	Length (mm)	Width (mm)	Height (mm)	Pizza/Carton
7" (Option)	368	227	224	8
7"	442	410	224	18

DD0002