

### GENERAL DESCRIPTION

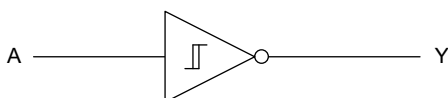
The 74LVC1G14 that provides a single Schmitt-trigger inverter is designed for 1.65V to 5.5V  $V_{CC}$  operation. The device contains one inverter and features the Boolean function  $Y = \bar{A}$ .

The 74LVC1G14 can be operated as an independent inverter. Schmitt-trigger action at the input makes the device to have the ability to tolerate slow or noisy input signals because it has different input threshold levels for positive-going ( $V_{T+}$ ) and negative-going ( $V_{T-}$ ) signals to provide hysteresis ( $\Delta V_T$ ).

This device is highly suitable for partial power-down applications by using power-off leakage current ( $I_{OFF}$ ) circuit. When the device is powered down, the outputs are disabled, and the current backflow can be prevented from passing through the device.

The 74LVC1G14 is available in Green SC70-5 and SOT-23-5 packages. It operates over an ambient temperature range of  $-40^{\circ}\text{C}$  to  $+125^{\circ}\text{C}$ .

### LOGIC DIAGRAM



### FEATURES

- Wide Supply Voltage Range: 1.65V to 5.5V
- Inputs Accept Voltages up to 5.5V
- +24mA/-24mA Output Current at  $V_{CC} = 3.0\text{V}$
- Low Quiescent Current:  $I_{CC} = 2\mu\text{A}$  (MAX)
- Propagation Delay: 7.5ns (TYP) at  $V_{CC} = 3.0\text{V}$
- Support Partial Power-Down Mode
- $-40^{\circ}\text{C}$  to  $+125^{\circ}\text{C}$  Operating Temperature Range
- Available in Green SC70-5 and SOT-23-5 Packages

### APPLICATIONS

Industrial Equipment  
 Medical Equipment  
 Computing: Server, PC and Notebook  
 Smartphone  
 Telecom Equipment

### FUNCTION TABLE

INPUT	OUTPUT
A	Y
H	L
L	H

$$Y = \bar{A}$$

H = High Voltage Level

L = Low Voltage Level

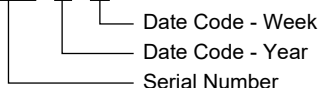
## PACKAGE/ORDERING INFORMATION

MODEL	PACKAGE DESCRIPTION	SPECIFIED TEMPERATURE RANGE	ORDERING NUMBER	PACKAGE MARKING	PACKING OPTION
74LVC1G14	SC70-5	-40°C to +125°C	74LVC1G14XC5G/TR	0A2XX	Tape and Reel, 3000
	SOT-23-5	-40°C to +125°C	74LVC1G14XN5G/TR	0A6XX	Tape and Reel, 3000

## MARKING INFORMATION

NOTE: XX = Date Code.

YYY X X



Green (RoHS & HSF): SG Micro Corp defines "Green" to mean Pb-Free (RoHS compatible) and free of halogen substances. If you have additional comments or questions, please contact your SGMICRO representative directly.

ABSOLUTE MAXIMUM RATINGS <sup>(1)</sup>

Supply Voltage, $V_{CC}$ .....	-0.5V to 6.5V
Input Voltage, $V_I$ <sup>(2)</sup> .....	-0.5V to 6.5V
Output Voltage, $V_O$ <sup>(2)</sup> .....	
High-State or Low-State.....	-0.5V to MIN(6.5V, $V_{CC} + 0.5V$ )
High-Impedance or Power-Off State.....	-0.5V to 6.5V
Input Clamp Current, $I_{IK}$ ( $V_I < 0V$ ).....	-50mA
Output Clamp Current, $I_{OK}$ ( $V_O < 0V$ ).....	-50mA
Continuous Output Current, $I_O$ .....	$\pm 50mA$
Continuous Current through $V_{CC}$ or GND.....	$\pm 100mA$
Junction Temperature <sup>(3)</sup> .....	+150°C
Storage Temperature Range.....	-65°C to +150°C
Lead Temperature (Soldering, 10s).....	+260°C
ESD Susceptibility	
HBM.....	5000V
CDM.....	1000V

## RECOMMENDED OPERATING CONDITIONS

Supply Voltage Range, $V_{CC}$ .....	1.65V to 5.5V
Input Voltage, $V_I$ .....	0V to 5.5V
Output Voltage, $V_O$ .....	0V to $V_{CC}$
Operating Temperature Range.....	-40°C to +125°C

## OVERSTRESS CAUTION

1. Stresses beyond those listed in Absolute Maximum Ratings may cause permanent damage to the device. Exposure to absolute maximum rating conditions for extended periods may affect reliability. Functional operation of the device at any conditions beyond those indicated in the Recommended Operating Conditions section is not implied.
2. The input and output negative voltage ratings may be exceeded if the input and output clamp current ratings are observed.
3. The performance capability of a high-performance integrated circuit in conjunction with its thermal environment can create junction temperatures which are detrimental to reliability.

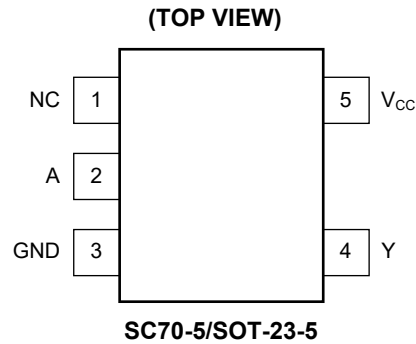
## ESD SENSITIVITY CAUTION

This integrated circuit can be damaged if ESD protections are not considered carefully. SGMICRO recommends that all integrated circuits be handled with appropriate precautions. Failure to observe proper handling and installation procedures can cause damage. ESD damage can range from subtle performance degradation to complete device failure. Precision integrated circuits may be more susceptible to damage because even small parametric changes could cause the device not to meet the published specifications.

## DISCLAIMER

SG Micro Corp reserves the right to make any change in circuit design, or specifications without prior notice.

## PIN CONFIGURATIONS



## PIN DESCRIPTION

PIN	NAME	FUNCTION
1	NC	No Connection.
2	A	Data Input.
3	GND	Ground.
4	Y	Data Output.
5	V <sub>CC</sub>	Supply Voltage.

## ELECTRICAL CHARACTERISTICS

(Full = -40°C to +125°C, all typical values are measured at  $T_A = +25^\circ\text{C}$  and  $V_{CC} = 3.3\text{V}$ , unless otherwise noted.)

PARAMETER	SYMBOL	CONDITIONS	TEMP	MIN	TYP	MAX	UNITS
Positive-Going Input Threshold Voltage	$V_{T+}$	$V_{CC} = 1.65\text{V}$	Full	0.79	1.03	1.16	V
		$V_{CC} = 2.3\text{V}$	Full	1.11	1.46	1.56	
		$V_{CC} = 3.0\text{V}$	Full	1.50	1.88	2.04	
		$V_{CC} = 4.5\text{V}$	Full	1.98	2.65	2.85	
		$V_{CC} = 5.5\text{V}$	Full	2.61	3.12	3.33	
Negative-Going Input Threshold Voltage	$V_{T-}$	$V_{CC} = 1.65\text{V}$	Full	0.39	0.55	0.64	V
		$V_{CC} = 2.3\text{V}$	Full	0.58	0.81	0.89	
		$V_{CC} = 3.0\text{V}$	Full	0.84	1.08	1.16	
		$V_{CC} = 4.5\text{V}$	Full	1.41	1.61	1.79	
		$V_{CC} = 5.5\text{V}$	Full	1.81	1.96	2.29	
Hysteresis ( $V_{T+} - V_{T-}$ )	$\Delta V_T$	$V_{CC} = 1.65\text{V}$	Full	0.35	0.49	0.61	V
		$V_{CC} = 2.3\text{V}$	Full	0.53	0.65	0.74	
		$V_{CC} = 3.0\text{V}$	Full	0.68	0.80	0.93	
		$V_{CC} = 4.5\text{V}$	Full	0.89	1.04	1.19	
		$V_{CC} = 5.5\text{V}$	Full	1.01	1.17	1.36	
High-Level Output Voltage	$V_{OH}$	$V_{CC} = 1.65\text{V to } 4.5\text{V}, I_{OH} = -100\mu\text{A}$	Full	$V_{CC} - 0.1$	$V_{CC} - 0.01$		V
		$V_{CC} = 1.65\text{V}, I_{OH} = -4\text{mA}$	Full	1.2	1.55		
		$V_{CC} = 2.3\text{V}, I_{OH} = -8\text{mA}$	Full	1.9	2.15		
		$V_{CC} = 2.7\text{V}, I_{OH} = -12\text{mA}$	Full	2.3	2.55		
		$V_{CC} = 3.0\text{V}, I_{OH} = -16\text{mA}$	Full	2.4	2.8		
		$V_{CC} = 3.0\text{V}, I_{OH} = -24\text{mA}$	Full	2.3	2.75		
		$V_{CC} = 4.5\text{V}, I_{OH} = -32\text{mA}$	Full	3.8	4.25		
Low-Level Output Voltage	$V_{OL}$	$V_{CC} = 1.65\text{V to } 4.5\text{V}, I_{OL} = 100\mu\text{A}$	Full		0.01	0.1	V
		$V_{CC} = 1.65\text{V}, I_{OL} = 4\text{mA}$	Full		0.1	0.45	
		$V_{CC} = 2.3\text{V}, I_{OL} = 8\text{mA}$	Full		0.15	0.3	
		$V_{CC} = 2.7\text{V}, I_{OL} = 12\text{mA}$	Full		0.2	0.3	
		$V_{CC} = 3.0\text{V}, I_{OL} = 16\text{mA}$	Full		0.25	0.4	
		$V_{CC} = 3.0\text{V}, I_{OL} = 24\text{mA}$	Full		0.3	0.55	
		$V_{CC} = 4.5\text{V}, I_{OL} = 32\text{mA}$	Full		0.35	0.55	
Input Leakage Current	$I_I$	$V_{CC} = 0\text{V to } 5.5\text{V}, V_I = 5.5\text{V or GND}$	Full		$\pm 0.1$	$\pm 2$	$\mu\text{A}$
Power-Off Leakage Current	$I_{OFF}$	$V_{CC} = 0\text{V}, V_I = 5.5\text{V or } V_O = 5.5\text{V}$	Full		$\pm 0.1$	$\pm 2$	$\mu\text{A}$
Supply Current	$I_{CC}$	$V_{CC} = 1.65\text{V to } 5.5\text{V}, V_I = 5.5\text{V or GND}, I_O = 0\text{A}$	Full		0.1	2	$\mu\text{A}$
Additional Supply Current	$\Delta I_{CC}$	$V_{CC} = 3.0\text{V to } 5.5\text{V}, \text{one input at } V_{CC} - 0.6\text{V}, \text{other inputs at } V_{CC} \text{ or GND}$	Full		0.1	5	$\mu\text{A}$
Input Capacitance	$C_I$	$V_{CC} = 3.3\text{V}, V_I = V_{CC} \text{ or GND}$	+25°C		5		pF

**DYNAMIC CHARACTERISTICS**

(See Figure 1 for test circuit. Full = -40°C to +125°C, all typical values are measured at T<sub>A</sub> = +25°C and V<sub>CC</sub> = 1.8V, 2.5V, 3.3V and 5V respectively, unless otherwise noted.)

PARAMETER	SYMBOL	CONDITIONS	TEMP	MIN <sup>(1)</sup>	TYP	MAX <sup>(1)</sup>	UNITS	
Propagation Delay <sup>(2)</sup>	t <sub>PD</sub>	A to Y, C <sub>L</sub> = 30pF or 50pF, see Table 1	V <sub>CC</sub> = 1.8V ± 0.15V	Full	1.0	10.5	18.0	ns
			V <sub>CC</sub> = 2.5V ± 0.2V	Full	0.5	8.0	12.0	
			V <sub>CC</sub> = 3.3V ± 0.3V	Full	0.5	7.5	10.5	
			V <sub>CC</sub> = 5.0V ± 0.5V	Full	0.5	7.0	10.0	
Power Dissipation Capacitance <sup>(3)</sup>	C <sub>PD</sub>	f = 10MHz	V <sub>CC</sub> = 1.8V	+25°C		45	pF	
			V <sub>CC</sub> = 2.5V	+25°C		36		
			V <sub>CC</sub> = 3.3V	+25°C		35		
			V <sub>CC</sub> = 5.0V	+25°C		42		

## NOTES:

- Specified by design and characterization; not production tested.
- t<sub>PD</sub> is the same as t<sub>PLH</sub> and t<sub>PHL</sub>.
- C<sub>PD</sub> is used to determine the dynamic power dissipation (P<sub>D</sub> in μW).

$$P_D = C_{PD} \times V_{CC}^2 \times f_i \times N + \Sigma(C_L \times V_{CC}^2 \times f_o)$$

where:

f<sub>i</sub> = Input frequency in MHz.

f<sub>o</sub> = Output frequency in MHz.

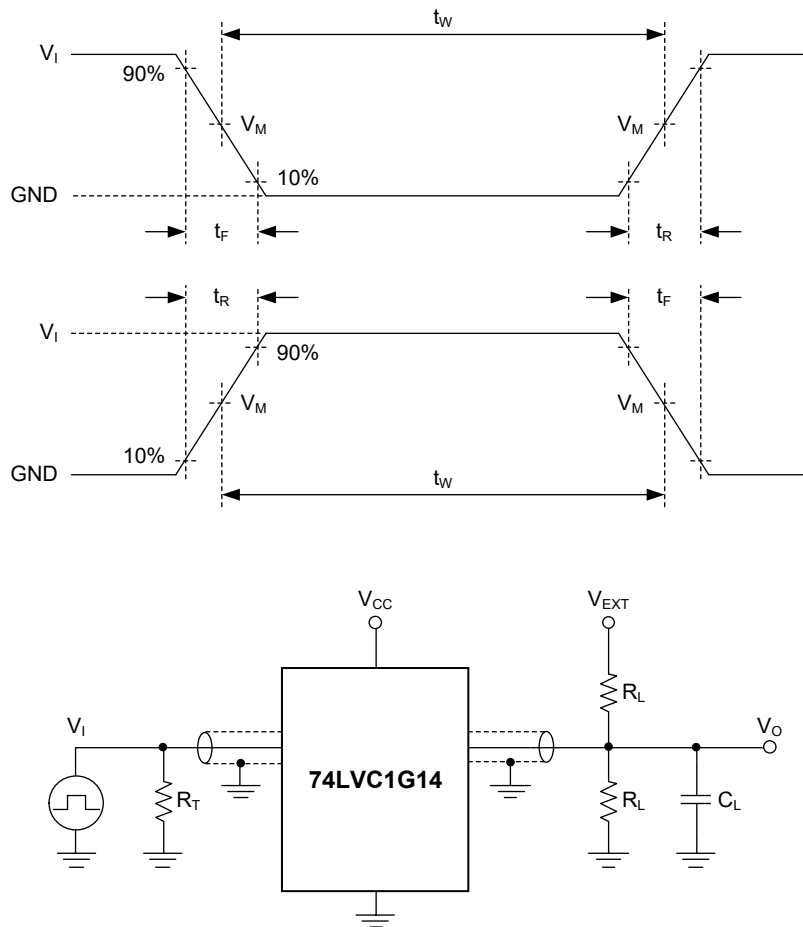
C<sub>L</sub> = Output load capacitance in pF.

V<sub>CC</sub> = Supply voltage in Volts.

N = Number of inputs switching.

Σ(C<sub>L</sub> × V<sub>CC</sub><sup>2</sup> × f<sub>o</sub>) = Sum of outputs.

## TEST CIRCUIT



Test conditions are given in Table 1.

Definitions for test circuit:

$R_L$ : Load resistance.

$C_L$ : Load capacitance (includes jig and probe).

$R_T$ : Termination resistance (equals to output impedance  $Z_o$  of the pulse generator).

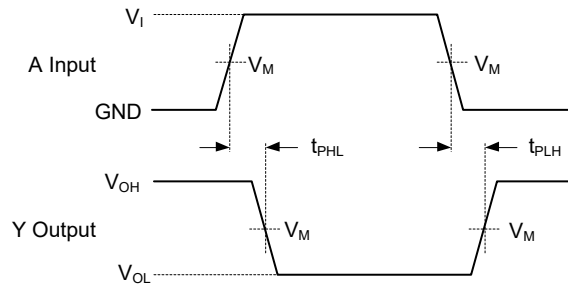
$V_{EXT}$ : External voltage is used to measure switching times.

Figure 1. Test Circuit for Measuring Switching Times

Table 1. Test Conditions

SUPPLY VOLTAGE	INPUT		LOAD		$V_{EXT}$
$V_{CC}$	$V_I$	$t_R, t_F$	$C_L$	$R_L$	$t_{PLH}, t_{PHL}$
$1.8V \pm 0.15V$	$V_{CC}$	$\leq 2.0ns$	30pF	1k $\Omega$	Open
$2.5V \pm 0.2V$	$V_{CC}$	$\leq 2.0ns$	30pF	500 $\Omega$	Open
$3.3V \pm 0.3V$	3.0V	$\leq 2.5ns$	50pF	500 $\Omega$	Open
$5.0V \pm 0.5V$	$V_{CC}$	$\leq 2.5ns$	50pF	500 $\Omega$	Open

WAVEFORMS



Test conditions are given in Table 1.

Measurement points are given in Table 2.

Logic levels:  $V_{OL}$  and  $V_{OH}$  are typical output voltage levels that occur with the output load.

Figure 2. Input (A) to Output (Y) Propagation Delays

Table 2. Measurement Points

SUPPLY VOLTAGE	INPUT		OUTPUT
$V_{CC}$	$V_I$	$V_M^{(1)}$	$V_M$
$1.8V \pm 0.15V$	$V_{CC}$	$0.5 \times V_{CC}$	$0.5 \times V_{CC}$
$2.5V \pm 0.2V$	$V_{CC}$	$0.5 \times V_{CC}$	$0.5 \times V_{CC}$
$3.3V \pm 0.3V$	3.0V	1.5V	1.5V
$5.0V \pm 0.5V$	$V_{CC}$	$0.5 \times V_{CC}$	$0.5 \times V_{CC}$

NOTE:

1. The measurement points should be  $V_{IH}$  or  $V_{IL}$  when the input rising or falling time exceeds 2.5ns.

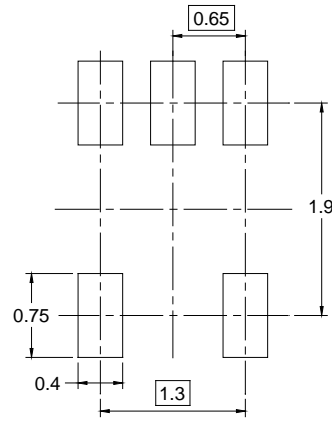
REVISION HISTORY

NOTE: Page numbers for previous revisions may differ from page numbers in the current version.

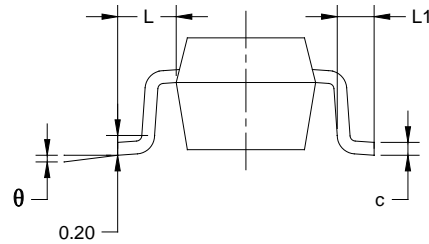
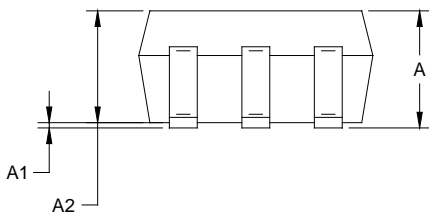
Changes from Original (DECEMBER 2023) to REV.A	Page
Changed from product preview to production data.....	All

PACKAGE OUTLINE DIMENSIONS

SC70-5



RECOMMENDED LAND PATTERN (Unit: mm)



Symbol	Dimensions In Millimeters		Dimensions In Inches	
	MIN	MAX	MIN	MAX
A	0.800	1.100	0.031	0.043
A1	0.000	0.100	0.000	0.004
A2	0.800	1.000	0.031	0.039
b	0.150	0.350	0.006	0.014
c	0.080	0.220	0.003	0.009
D	2.000	2.200	0.079	0.087
E	1.150	1.350	0.045	0.053
E1	2.150	2.450	0.085	0.096
e	0.65 TYP		0.026 TYP	
e1	1.300 BSC		0.051 BSC	
L	0.525 REF		0.021 REF	
L1	0.260	0.460	0.010	0.018
θ	0°	8°	0°	8°

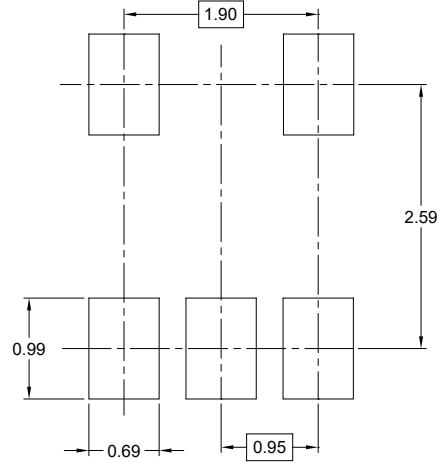
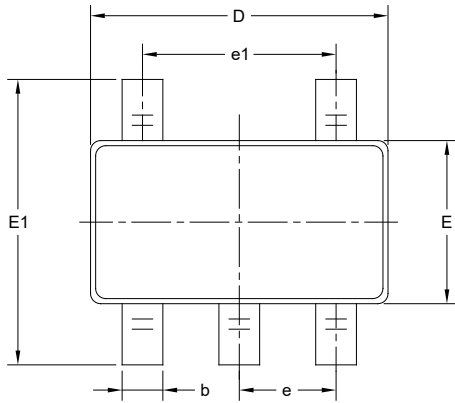
NOTES:

1. Body dimensions do not include mode flash or protrusion.
2. This drawing is subject to change without notice.

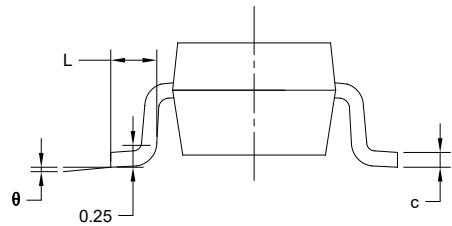
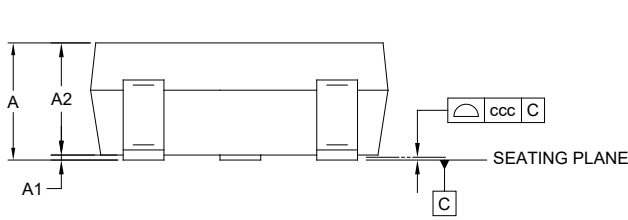


PACKAGE OUTLINE DIMENSIONS

SOT-23-5



RECOMMENDED LAND PATTERN (Unit: mm)



Symbol	Dimensions In Millimeters		
	MIN	MOD	MAX
A	-	-	1.450
A1	0.000	-	0.150
A2	0.900	-	1.300
b	0.300	-	0.500
c	0.080	-	0.220
D	2.750	-	3.050
E	1.450	-	1.750
E1	2.600	-	3.000
e	0.950 BSC		
e1	1.900 BSC		
L	0.300	-	0.600
θ	0°	-	8°
ccc	0.100		

NOTES:

1. This drawing is subject to change without notice.
2. The dimensions do not include mold flashes, protrusions or gate burrs.
3. Reference JEDEC MO-178.

**TAPE AND REEL INFORMATION**

**REEL DIMENSIONS**



**TAPE DIMENSIONS**



NOTE: The picture is only for reference. Please make the object as the standard.

**KEY PARAMETER LIST OF TAPE AND REEL**

Package Type	Reel Diameter	Reel Width W1 (mm)	A0 (mm)	B0 (mm)	K0 (mm)	P0 (mm)	P1 (mm)	P2 (mm)	W (mm)	Pin1 Quadrant
SC70-5	7"	9.5	2.40	2.50	1.20	4.0	4.0	2.0	8.0	Q3
SOT-23-5	7"	9.5	3.20	3.20	1.40	4.0	4.0	2.0	8.0	Q3

DD0001

# PACKAGE INFORMATION

## CARTON BOX DIMENSIONS



NOTE: The picture is only for reference. Please make the object as the standard.

## KEY PARAMETER LIST OF CARTON BOX

Reel Type	Length (mm)	Width (mm)	Height (mm)	Pizza/Carton
7" (Option)	368	227	224	8
7"	442	410	224	18

DD0002